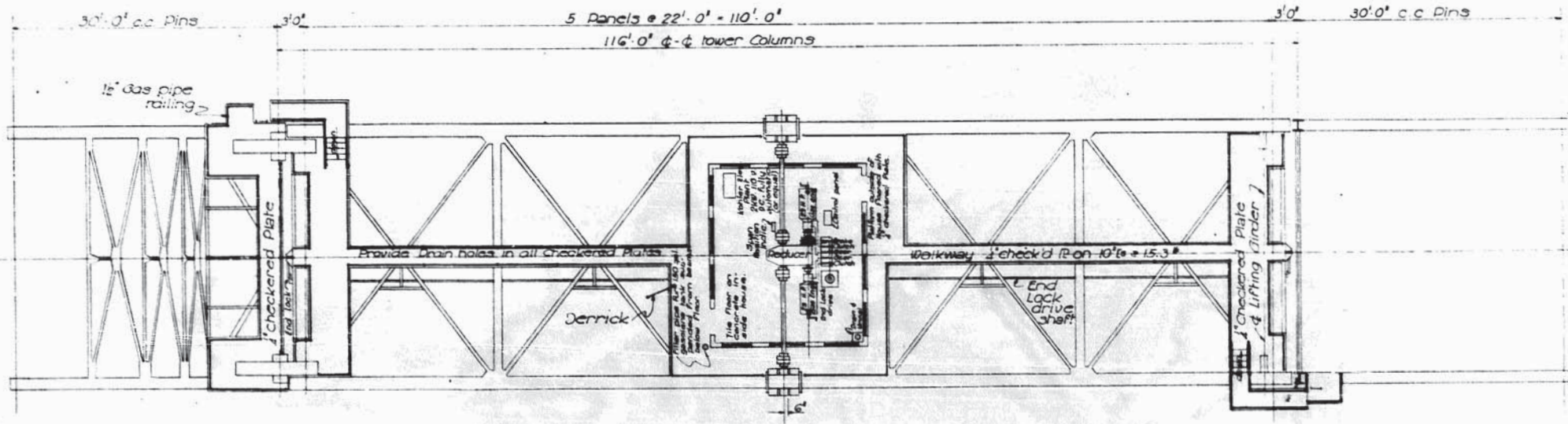
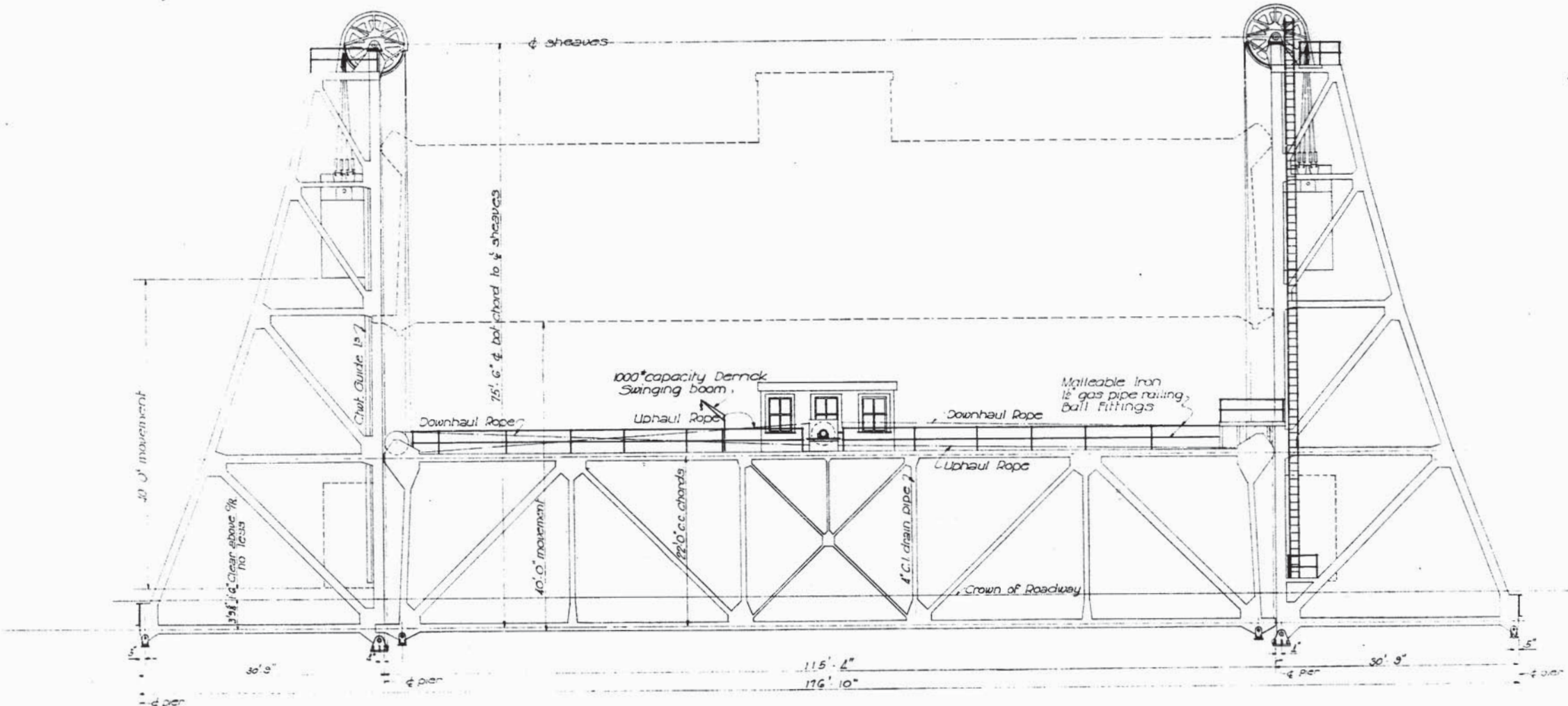


29



Approved 20 1933
 BY ENGINEER
 W. H. Hump

Note: Navigation Lights to be oil burning.

FINAL QUANTITIES
 ESTIMATED QUANTITIES

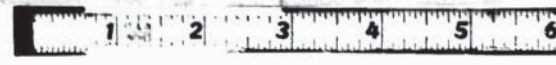
Structural Steel	452,452	456,000
Class AA Conc	113,33	cu yds
Class A conc (cont.)	100,62	cu yds
Reinf Steel	34,343	lb

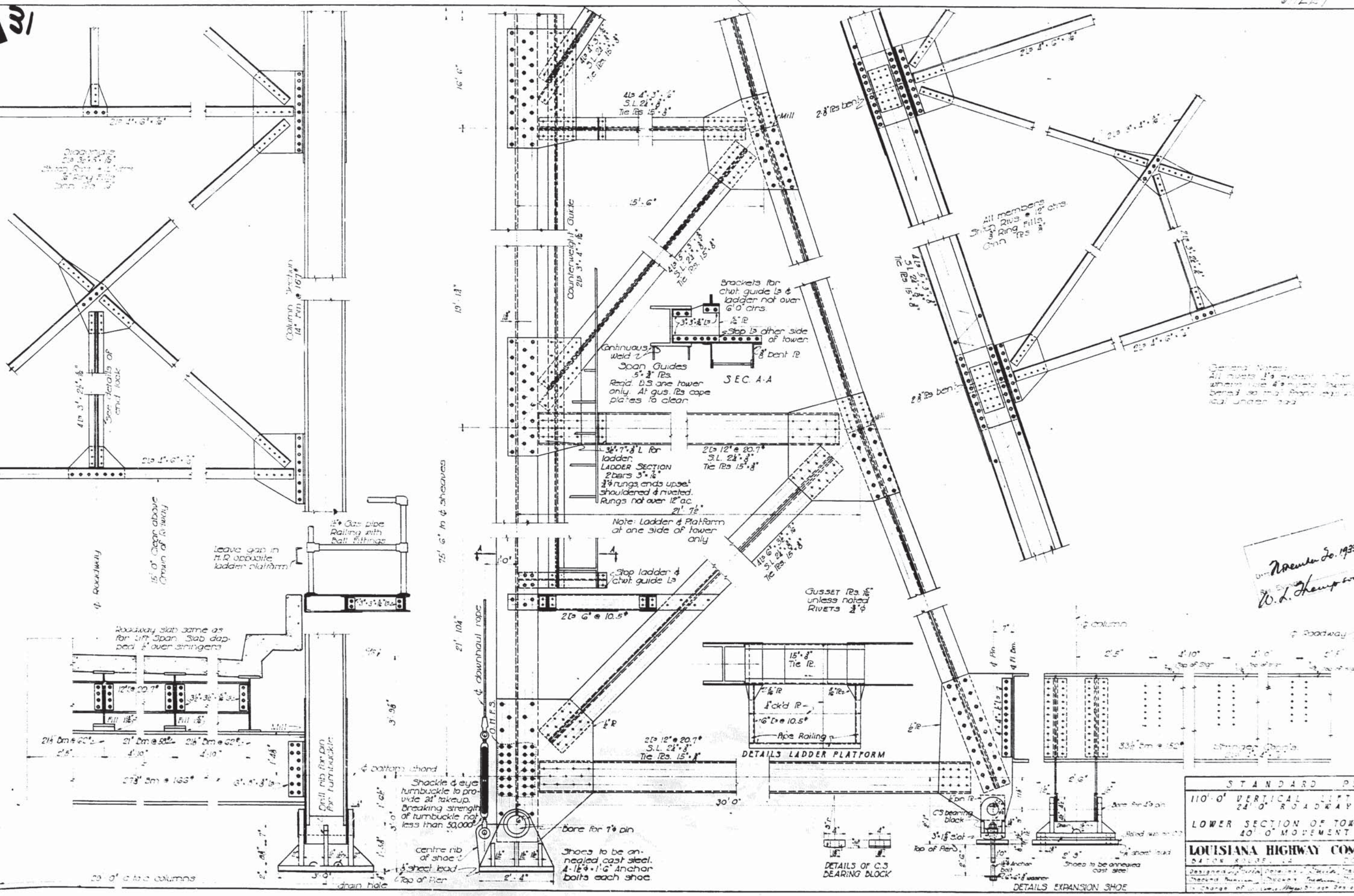
NOTE:
 FOR STRUCTURAL STEEL WEIGHTS SEE MR. LANT'S LETTER - OCT. 10, 1933.
 * ADDITIONAL "AA" CONC. SEE OPP'S HOUSE FLOOR PLAN SHEET NO. 6
 * COUNTERWEIGHT "A" CONC. SEE "AS BUILT" PLAN SHEET NO. 15

STANDARD PLAN	
GENERAL LAYOUT	
110' 0" VERTICAL LIFT SPAN	
24' 0" ROADWAY	
DOUBLE CURBS	
LOUISIANA HIGHWAY COMMISSION	
BATON ROUGE, LA OCT 1932	
Designed by	Checked by
Drawn by	Approved by

S-L-2

AS BUILT PLANS

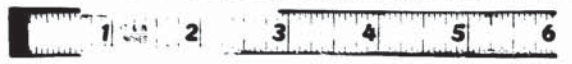


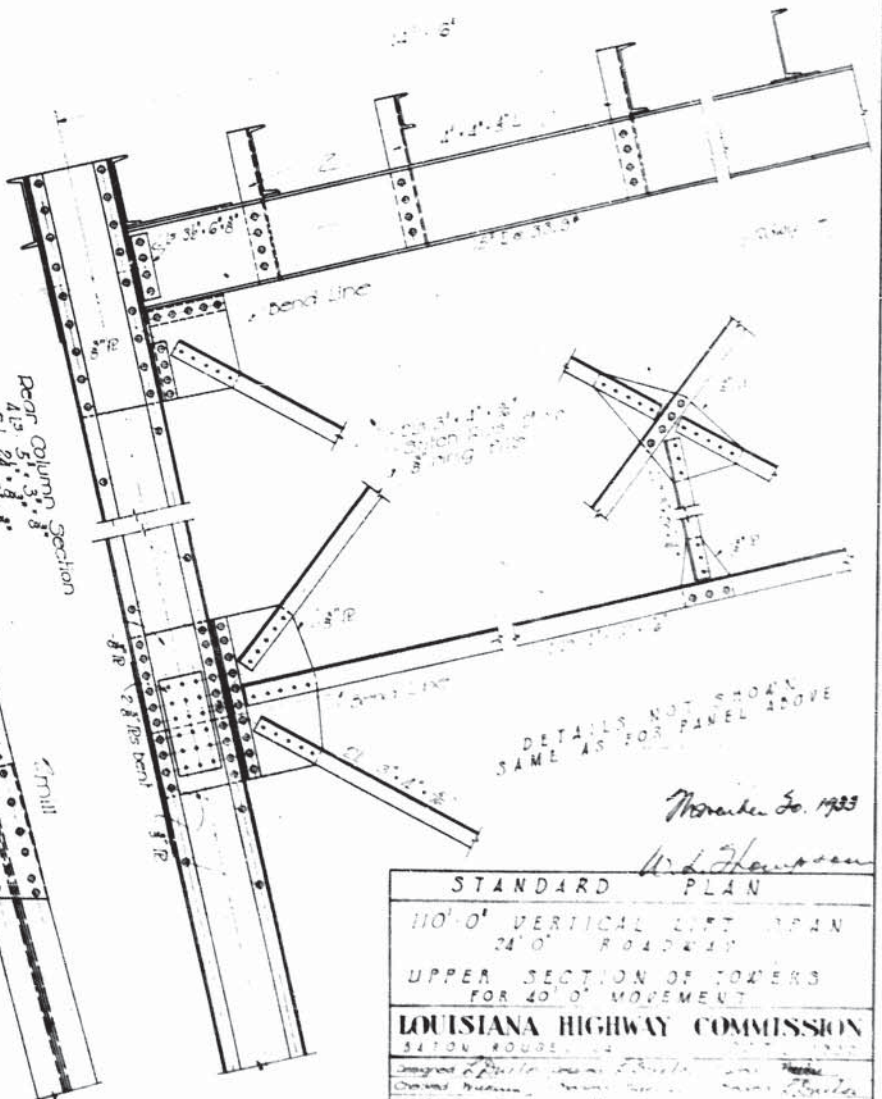
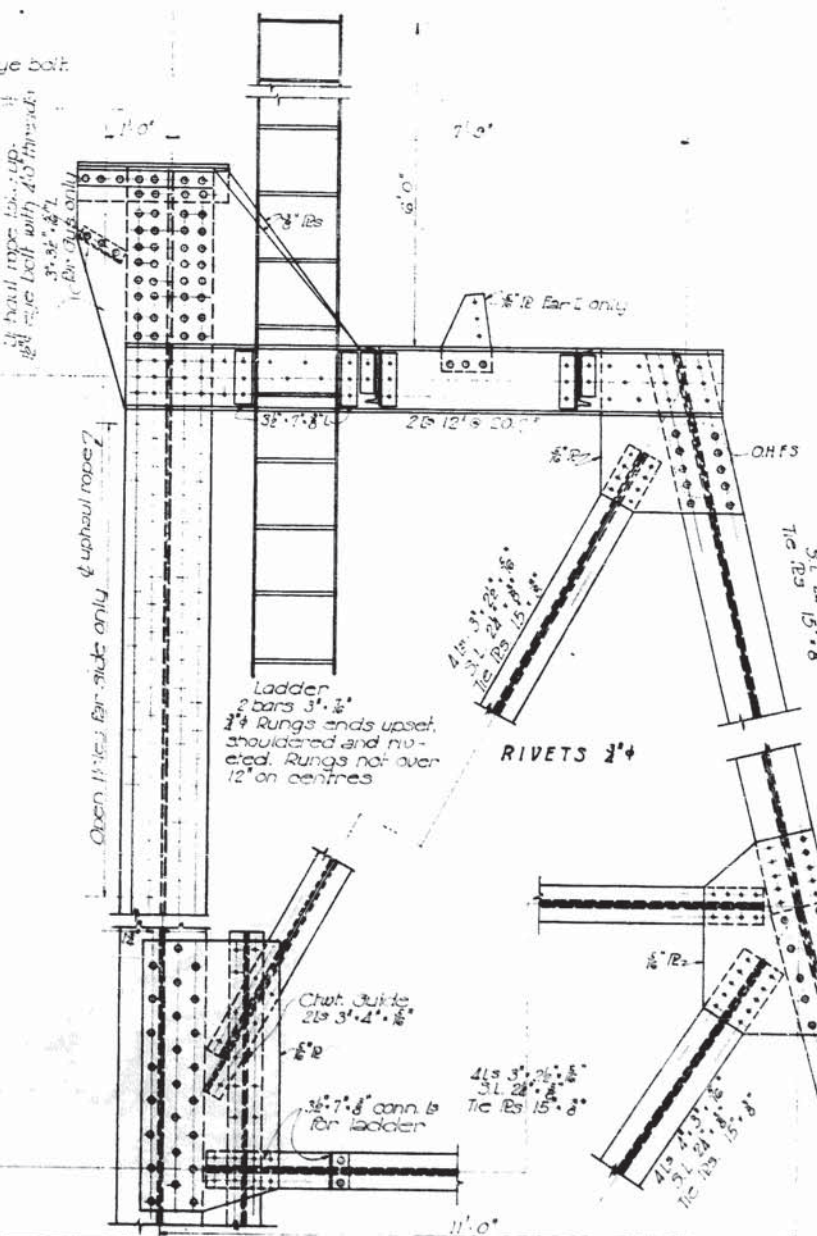
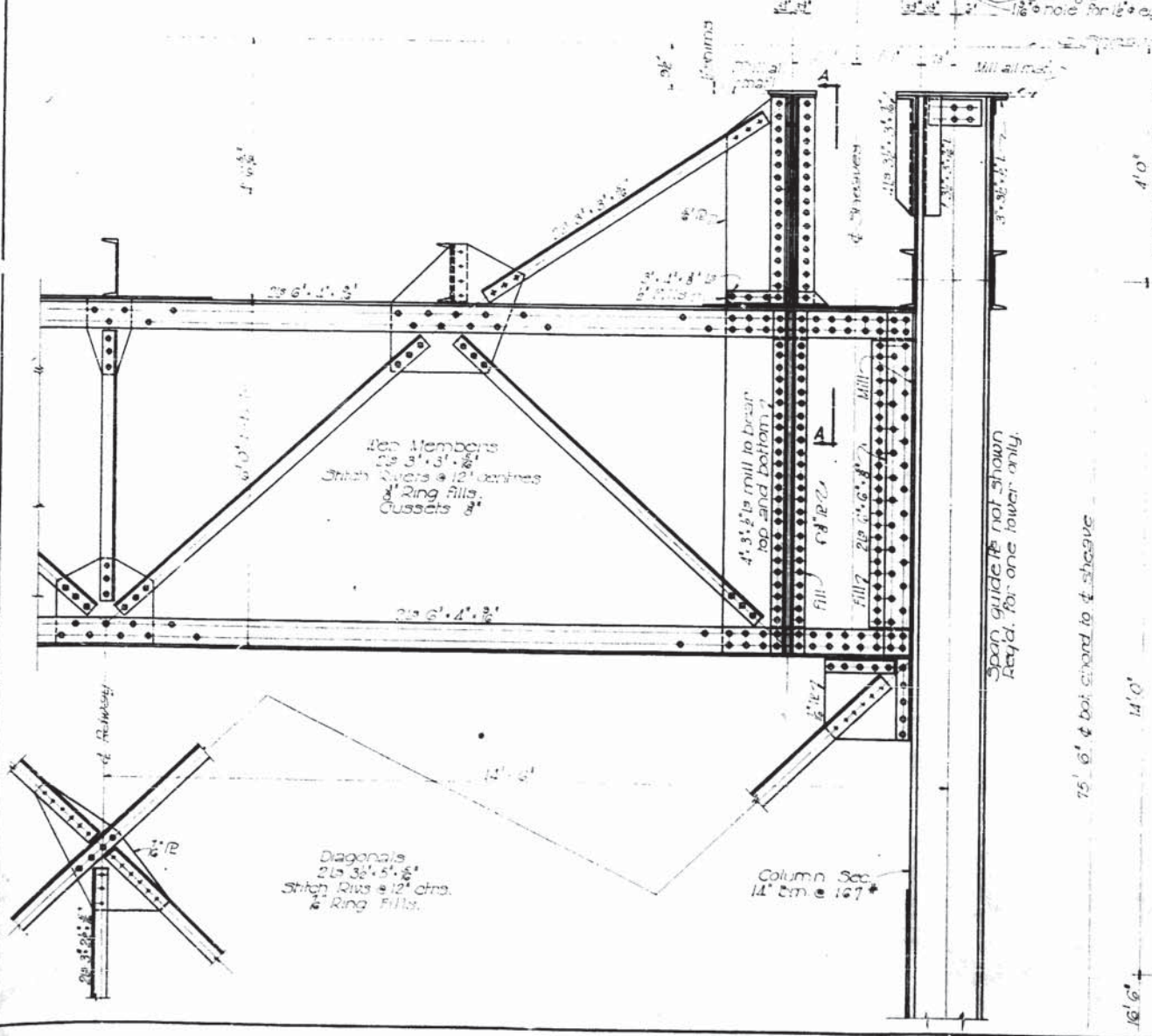
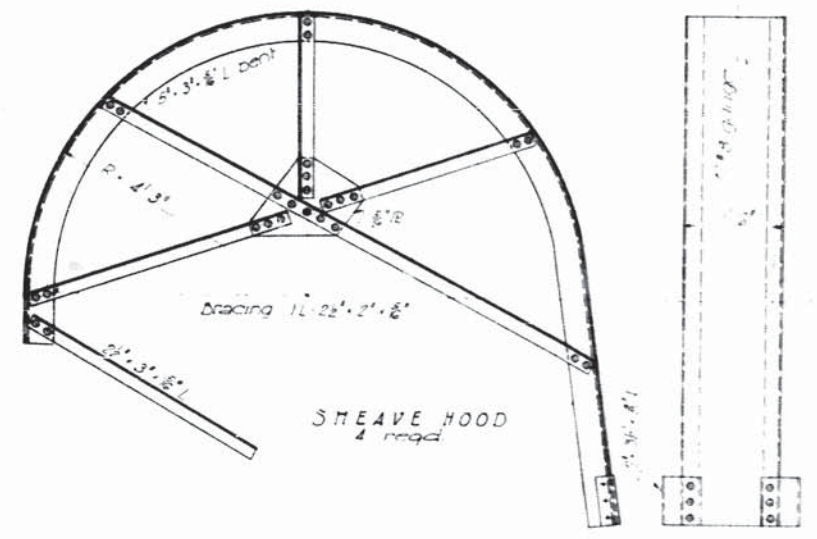
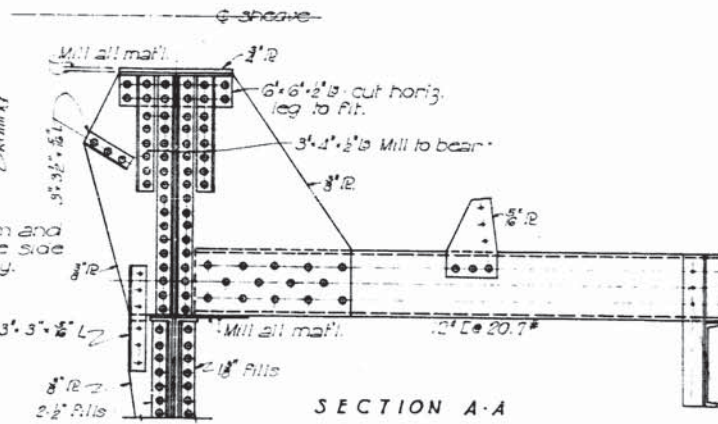
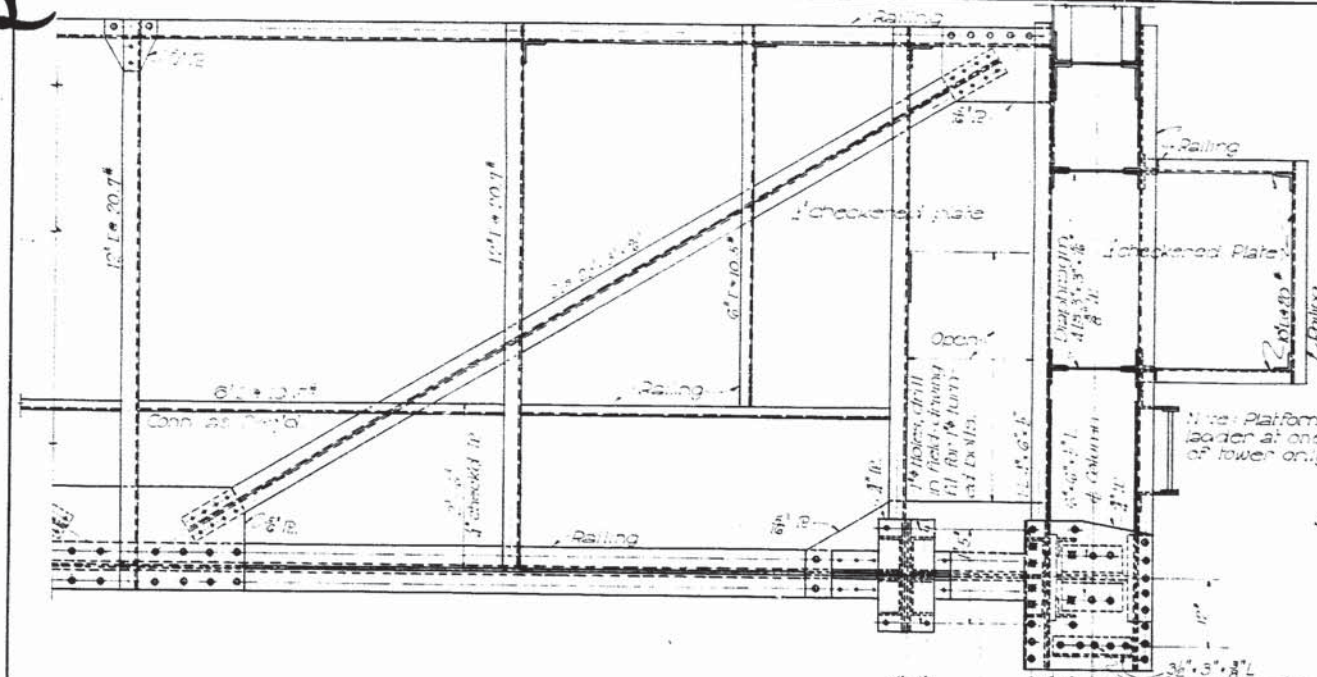


General Notes:
 All rivets 1/2" except as otherwise noted.
 Where 1/2" rivets are shown in plan, they
 are to be bent so that they are in the vertical
 plane under load.

Approved
 W. L. Thompson
 December 20, 1933

STANDARD PLAN	
110'-0" VERTICAL LIFT SPAN	
24'-0" ROADWAY	
LOWER SECTION OF TOWERS FOR	
40'-0" MOVEMENT	
LOUISIANA HIGHWAY COMMISSION	
DESIGNED BY: [illegible]	
CHECKED BY: [illegible]	
IN CHARGE OF: [illegible]	

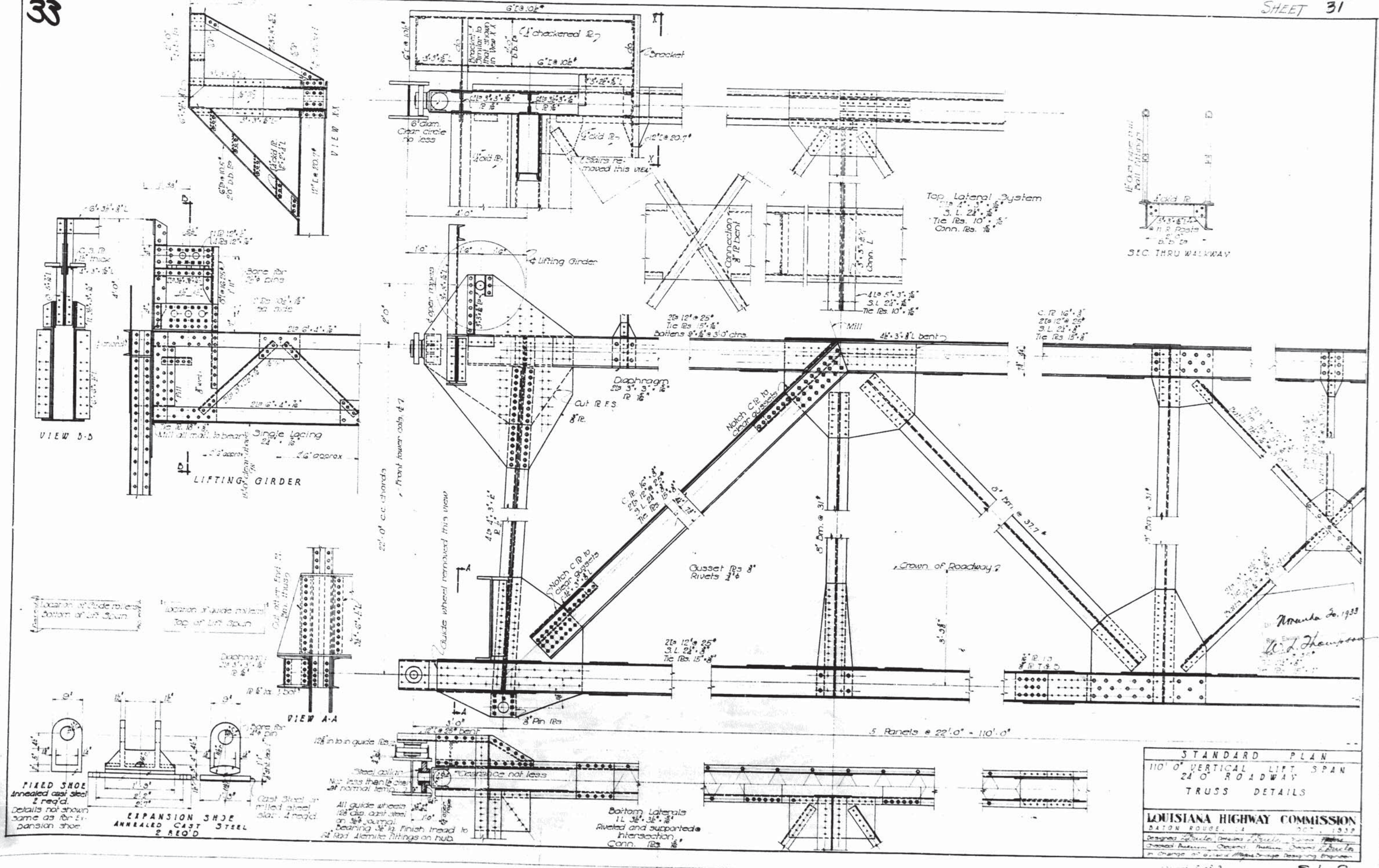




DETAILS NOT SHOWN
SAME AS FOR PANEL ABOVE

March 30, 1935
W. H. Hansen

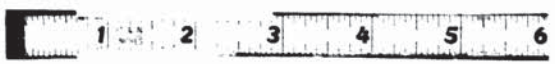
STANDARD PLAN	
110' 0" VERTICAL LIFT SPAN	24' 0" ROADWAY
UPPER SECTION OF TOWERS FOR 40' 0" MOVEMENT	
LOUISIANA HIGHWAY COMMISSION	
SAYON ROUGE	



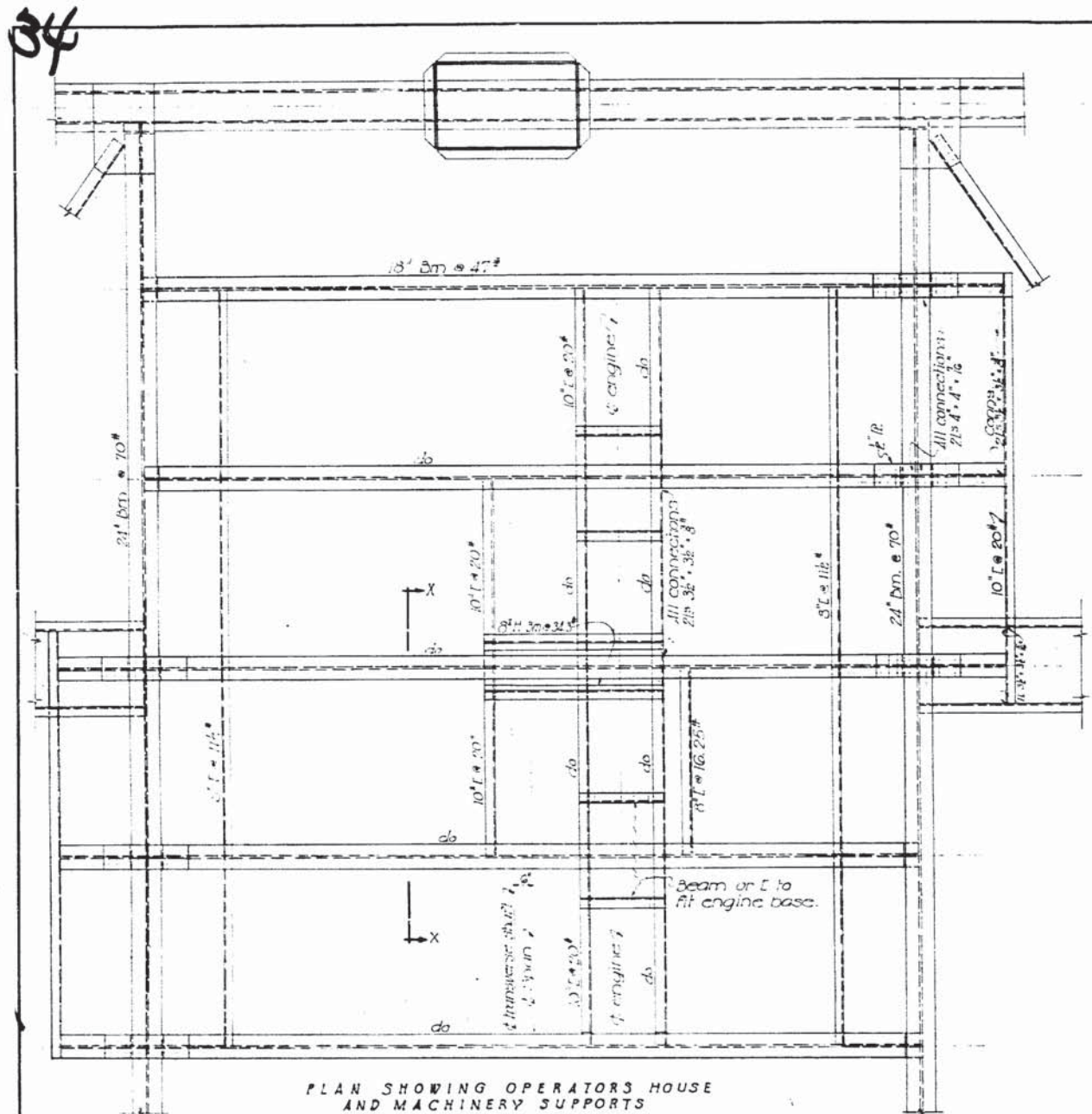
STANDARD PLAN
 110' 0" VERTICAL LIFT SPAN
 24' 0" ROADWAY
 TRUSS DETAILS

LOUISIANA HIGHWAY COMMISSION
 BATON ROUGE, LA. 1933

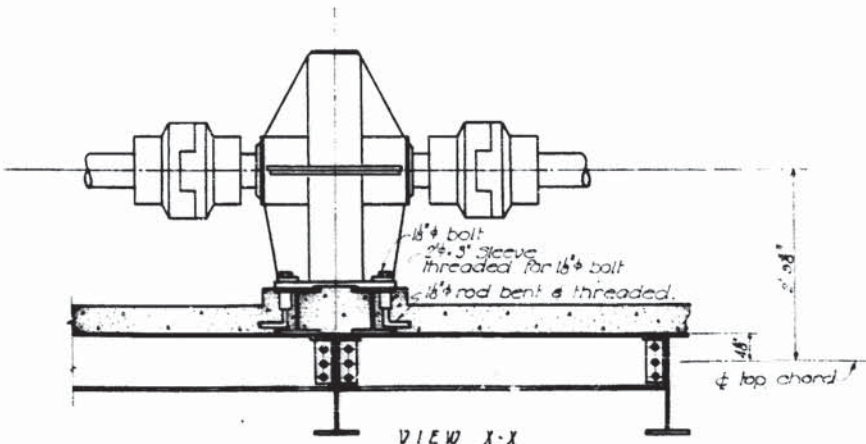
Designed by *[Signature]*, Checked by *[Signature]*, Drawn by *[Signature]*
 In Charge of Civil Engineering Designing Engineer



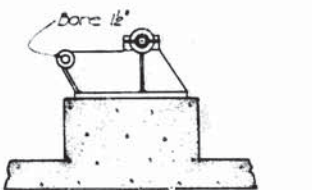
AS BUILT PLANS



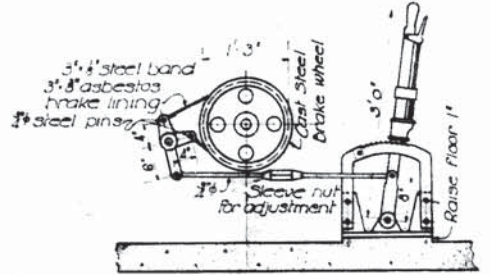
PLAN SHOWING OPERATORS HOUSE AND MACHINERY SUPPORTS



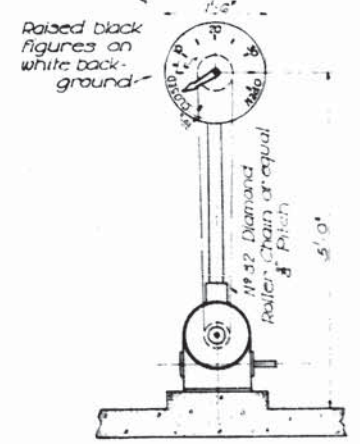
VIEW X-X



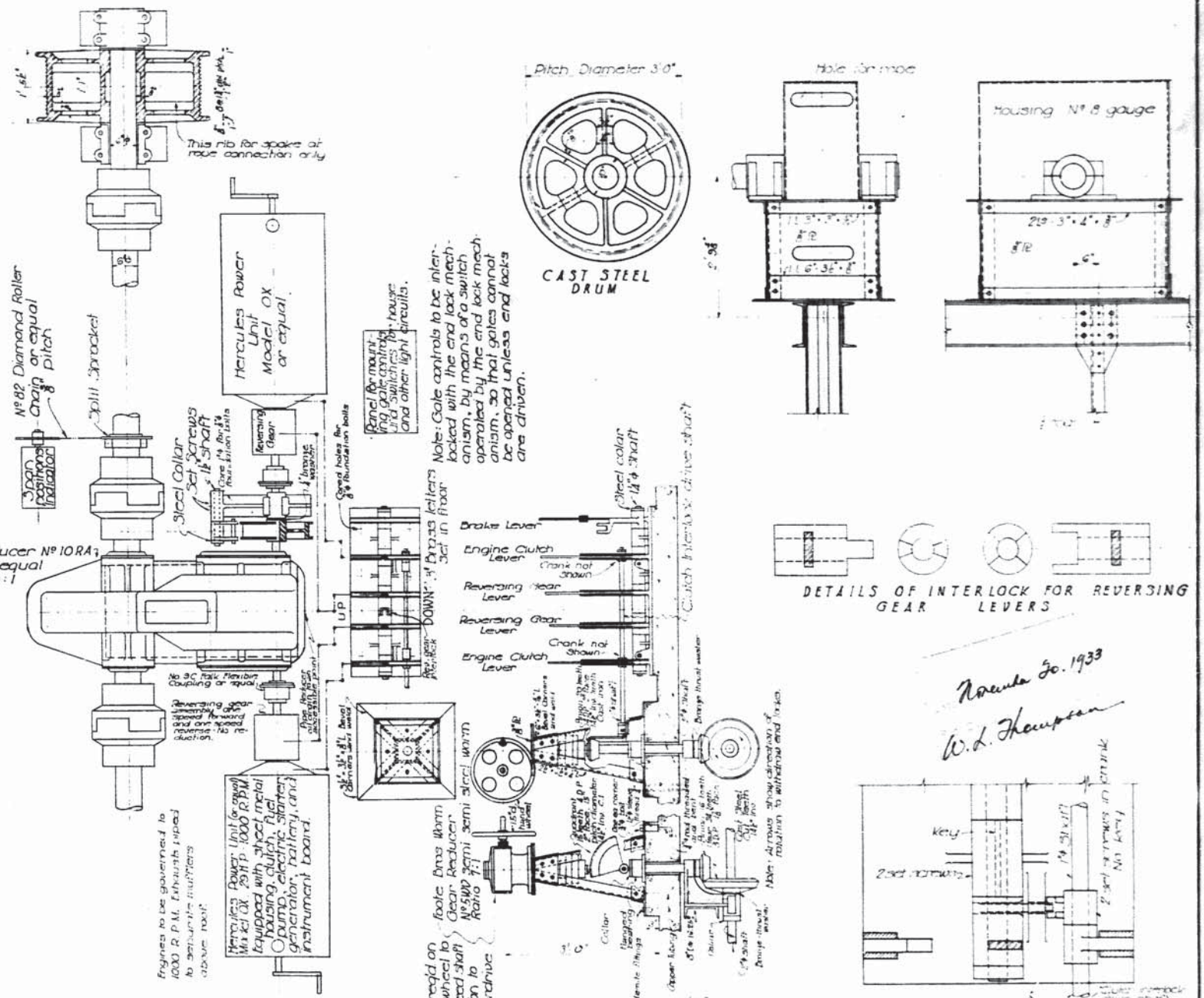
DETAILS HIGH SPEED SHAFT BEARING



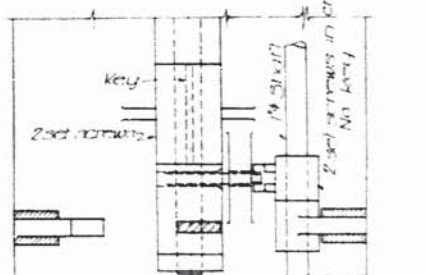
DETAILS HAND BRAKE



SPAN POSITIONS INDICATOR



DETAILS OF INTERLOCK FOR REVERSING GEAR LEVERS



DETAILS OF CLUTCH INTERLOCK

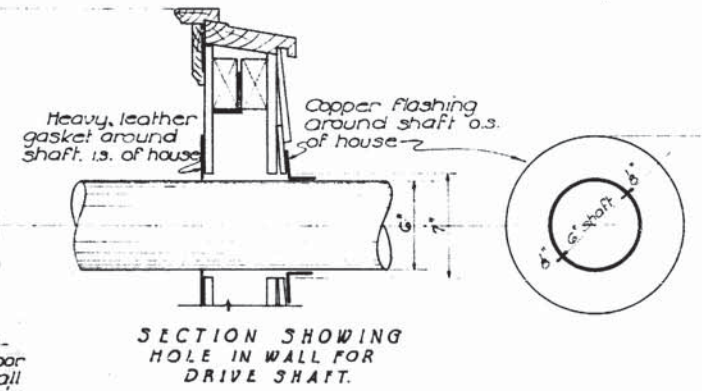
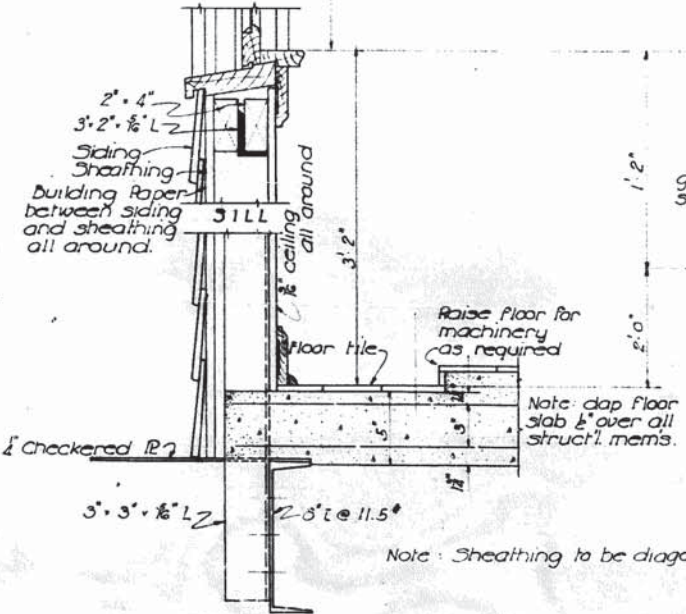
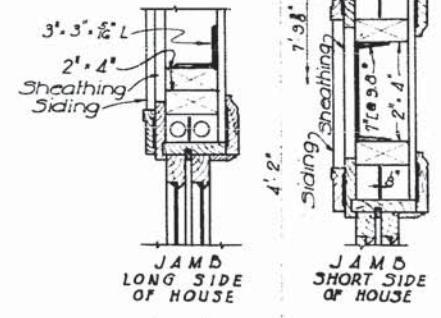
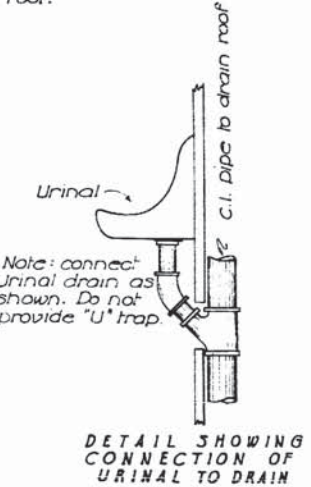
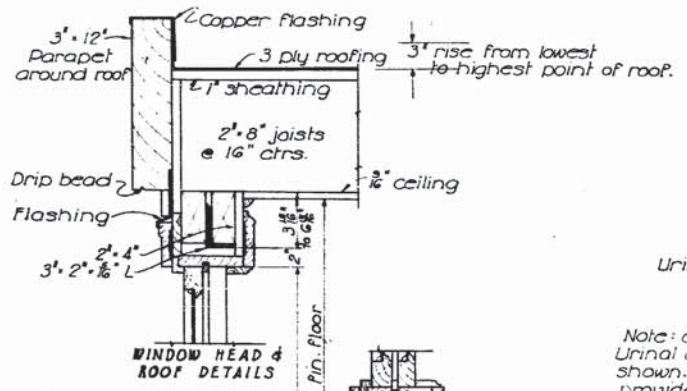
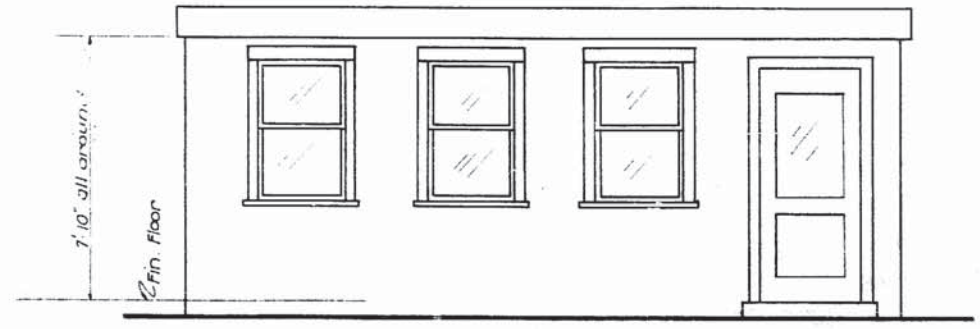
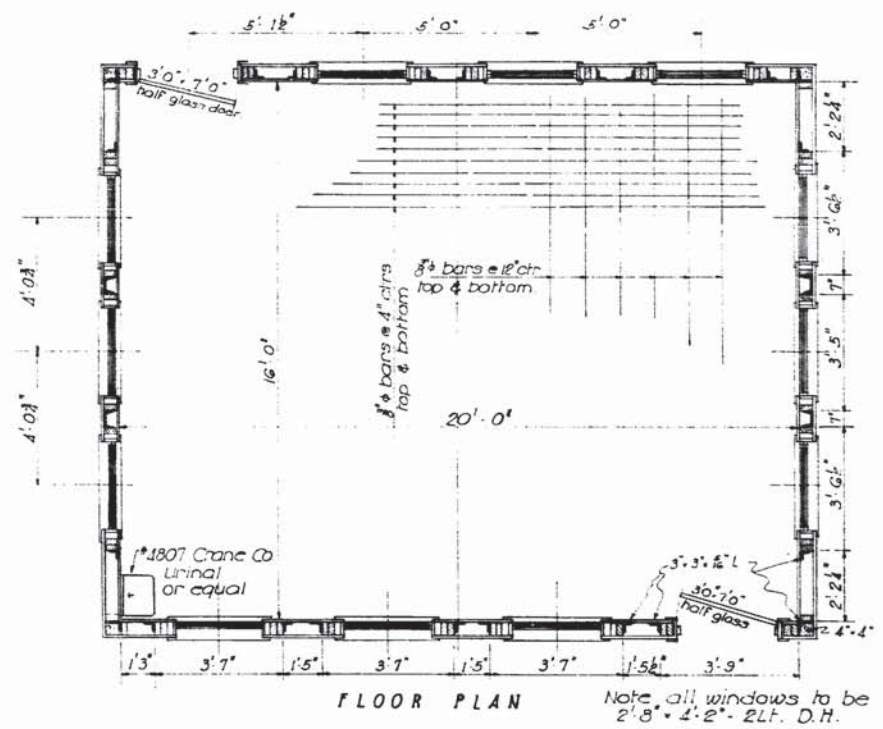
STANDARD PLAN
110' 0" VERTICAL LIFT SPAN
24' 0" ROADWAY
MACHINERY DETAILS

LOUISIANA HIGHWAY COMMISSION
BATON ROUGE, LA. OCT. 1932
Designed by *W.D. Thompson*
Checked by *W.D. Thompson*
In Charge of *W.D. Thompson*

Revised to 1933
W.D. Thompson



57



General Notes:

Timber framing shall be of heart cypress. All other lumber shall be Grade B Cypress. All timber 5/8" studs to be spaced at not over 24" centres. 2'-4" studs and plates to be bolted to structural steel members where they adjoin such members. Copper flashing to be used around roof on parapet and over doors and windows. Roof shall drain to one corner where a 4" C.I. pipe will carry water below low steel. Window and door glass shall be double strength American glass. Copper screens to be provided for windows and doors. Concrete floor slab to be Class AA conc covered with 4" x 6" red floor tile. Urinal will drain into 4" C.I. roof drain. Roofing shall be Standard 3 ply built up roofing. Structural Steel, Reinforcing Steel and Class AA concrete shall be paid for as such. All other materials required to construct house complete shall be included in lump sum bid on operators house. House shall have three coats of paint as specified in Art. 81.30, Pamphlet "N" La. Highway comm. Specifications. Urinal and 4" C.I. drain pipe to be included in lump sum bid for house.

FINAL QUANTITIES.

SUMMARY OF QUANTITIES

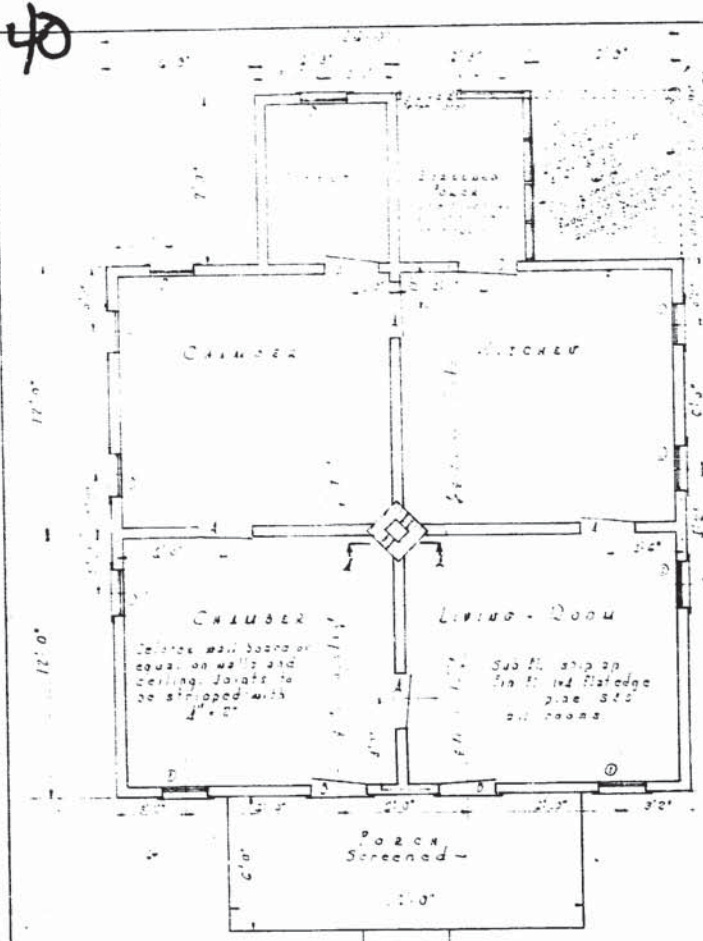
Class AA conc.	7.35 Cu. Yds.
Struct. Steel	1062 LBS.
Reinf. Steel	990 LBS.

NOTE: FOR STRUCTURAL STEEL SEE MR. LANT'S LETTER-OCT 10, 1933. CL. AA CONC. AND REINF. STEEL SEE AS BUILT PLAN-SHEET NO. 16.

November 30, 1933
W. L. Thompson

STANDARD PLAN		
OPERATORS HOUSE		
110'-0" VERTICAL LIFT SPAN		
24'-0" ROADWAY		
LOUISIANA HIGHWAY COMMISSION		
BATON ROUGE, LA.	OCT 7 1932	
Designed by	Checked by	
Drawn by	Checked by	
In Charge of work: Highway Designing Engineer		

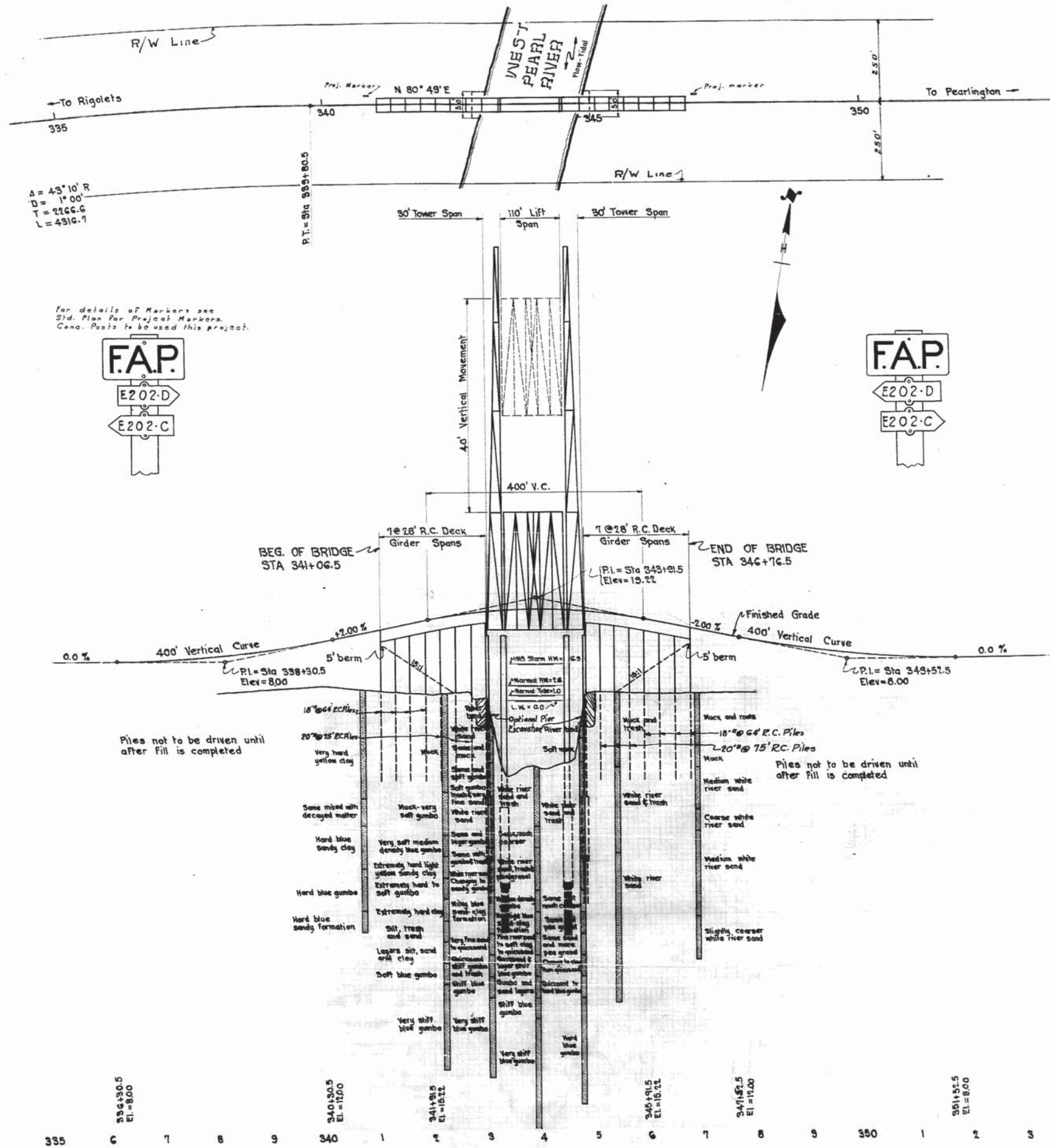




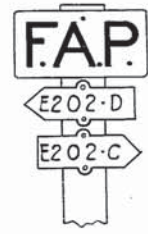
ITEM SCHEDULE

1	2x4	12' x 12'	1
2	2x6	12' x 12'	1
3	2x8	12' x 12'	1
4	2x10	12' x 12'	1
5	2x12	12' x 12'	1
6	2x14	12' x 12'	1
7	2x16	12' x 12'	1
8	2x18	12' x 12'	1
9	2x20	12' x 12'	1
10	2x22	12' x 12'	1
11	2x24	12' x 12'	1
12	2x26	12' x 12'	1
13	2x28	12' x 12'	1
14	2x30	12' x 12'	1
15	2x32	12' x 12'	1
16	2x34	12' x 12'	1
17	2x36	12' x 12'	1
18	2x38	12' x 12'	1
19	2x40	12' x 12'	1
20	2x42	12' x 12'	1
21	2x44	12' x 12'	1
22	2x46	12' x 12'	1
23	2x48	12' x 12'	1
24	2x50	12' x 12'	1
25	2x52	12' x 12'	1
26	2x54	12' x 12'	1
27	2x56	12' x 12'	1
28	2x58	12' x 12'	1
29	2x60	12' x 12'	1
30	2x62	12' x 12'	1
31	2x64	12' x 12'	1
32	2x66	12' x 12'	1
33	2x68	12' x 12'	1
34	2x70	12' x 12'	1
35	2x72	12' x 12'	1
36	2x74	12' x 12'	1
37	2x76	12' x 12'	1
38	2x78	12' x 12'	1
39	2x80	12' x 12'	1
40	2x82	12' x 12'	1
41	2x84	12' x 12'	1
42	2x86	12' x 12'	1
43	2x88	12' x 12'	1
44	2x90	12' x 12'	1
45	2x92	12' x 12'	1
46	2x94	12' x 12'	1
47	2x96	12' x 12'	1
48	2x98	12' x 12'	1
49	2x100	12' x 12'	1
50	2x102	12' x 12'	1
51	2x104	12' x 12'	1
52	2x106	12' x 12'	1
53	2x108	12' x 12'	1
54	2x110	12' x 12'	1
55	2x112	12' x 12'	1
56	2x114	12' x 12'	1
57	2x116	12' x 12'	1
58	2x118	12' x 12'	1
59	2x120	12' x 12'	1
60	2x122	12' x 12'	1
61	2x124	12' x 12'	1
62	2x126	12' x 12'	1
63	2x128	12' x 12'	1
64	2x130	12' x 12'	1
65	2x132	12' x 12'	1
66	2x134	12' x 12'	1
67	2x136	12' x 12'	1
68	2x138	12' x 12'	1
69	2x140	12' x 12'	1
70	2x142	12' x 12'	1
71	2x144	12' x 12'	1
72	2x146	12' x 12'	1
73	2x148	12' x 12'	1
74	2x150	12' x 12'	1
75	2x152	12' x 12'	1
76	2x154	12' x 12'	1
77	2x156	12' x 12'	1
78	2x158	12' x 12'	1
79	2x160	12' x 12'	1
80	2x162	12' x 12'	1
81	2x164	12' x 12'	1
82	2x166	12' x 12'	1
83	2x168	12' x 12'	1
84	2x170	12' x 12'	1
85	2x172	12' x 12'	1
86	2x174	12' x 12'	1
87	2x176	12' x 12'	1
88	2x178	12' x 12'	1
89	2x180	12' x 12'	1
90	2x182	12' x 12'	1
91	2x184	12' x 12'	1
92	2x186	12' x 12'	1
93	2x188	12' x 12'	1
94	2x190	12' x 12'	1
95	2x192	12' x 12'	1
96	2x194	12' x 12'	1
97	2x196	12' x 12'	1
98	2x198	12' x 12'	1
99	2x200	12' x 12'	1
100	2x202	12' x 12'	1
101	2x204	12' x 12'	1
102	2x206	12' x 12'	1
103	2x208	12' x 12'	1
104	2x210	12' x 12'	1
105	2x212	12' x 12'	1
106	2x214	12' x 12'	1
107	2x216	12' x 12'	1
108	2x218	12' x 12'	1
109	2x220	12' x 12'	1
110	2x222	12' x 12'	1
111	2x224	12' x 12'	1
112	2x226	12' x 12'	1
113	2x228	12' x 12'	1
114	2x230	12' x 12'	1
115	2x232	12' x 12'	1
116	2x234	12' x 12'	1
117	2x236	12' x 12'	1
118	2x238	12' x 12'	1
119	2x240	12' x 12'	1
120	2x242	12' x 12'	1
121	2x244	12' x 12'	1
122	2x246	12' x 12'	1
123	2x248	12' x 12'	1
124	2x250	12' x 12'	1
125	2x252	12' x 12'	1
126	2x254	12' x 12'	1
127	2x256	12' x 12'	1
128	2x258	12' x 12'	1
129	2x260	12' x 12'	1
130	2x262	12' x 12'	1
131	2x264	12' x 12'	1
132	2x266	12' x 12'	1
133	2x268	12' x 12'	1
134	2x270	12' x 12'	1
135	2x272	12' x 12'	1
136	2x274	12' x 12'	1
137	2x276	12' x 12'	1
138	2x278	12' x 12'	1
139	2x280	12' x 12'	1
140	2x282	12' x 12'	1
141	2x284	12' x 12'	1
142	2x286	12' x 12'	1
143	2x288	12' x 12'	1
144	2x290	12' x 12'	1
145	2x292	12' x 12'	1
146	2x294	12' x 12'	1
147	2x296	12' x 12'	1
148	2x298	12' x 12'	1
149	2x300	12' x 12'	1
150	2x302	12' x 12'	1
151	2x304	12' x 12'	1
152	2x306	12' x 12'	1
153	2x308	12' x 12'	1
154	2x310	12' x 12'	1
155	2x312	12' x 12'	1
156	2x314	12' x 12'	1
157	2x316	12' x 12'	1
158	2x318	12' x 12'	1
159	2x320	12' x 12'	1
160	2x322	12' x 12'	1
161	2x324	12' x 12'	1
162	2x326	12' x 12'	1
163	2x328	12' x 12'	1
164	2x330	12' x 12'	1
165	2x332	12' x 12'	1
166	2x334	12' x 12'	1
167	2x336	12' x 12'	1
168	2x338	12' x 12'	1
169	2x340	12' x 12'	1
170	2x342	12' x 12'	1
171	2x344	12' x 12'	1
172	2x346	12' x 12'	1
173	2x348	12' x 12'	1
174	2x350	12' x 12'	1
175	2x352	12' x 12'	1
176	2x354	12' x 12'	1
177	2x356	12' x 12'	1
178	2x358	12' x 12'	1
179	2x360	12' x 12'	1
180	2x362	12' x 12'	1
181	2x364	12' x 12'	1
182	2x366	12' x 12'	1
183	2x368	12' x 12'	1
184	2x370	12' x 12'	1
185	2x372	12' x 12'	1
186	2x374	12' x 12'	1
187	2x376	12' x 12'	1
188	2x378	12' x 12'	1
189	2x380	12' x 12'	1
190	2x382	12' x 12'	1
191	2x384	12' x 12'	1
192	2x386	12' x 12'	1
193	2x388	12' x 12'	1
194	2x390	12' x 12'	1
195	2x392	12' x 12'	1
196	2x394	12' x 12'	1
197	2x396	12' x 12'	1
198	2x398	12' x 12'	1
199	2x400	12' x 12'	1
200	2x402	12' x 12'	1
201	2x404	12' x 12'	1
202	2x406	12' x 12'	1
203	2x408	12' x 12'	1
204	2x410	12' x 12'	1
205	2x412	12' x 12'	1
206	2x414	12' x 12'	1
207	2x416	12' x 12'	1
208	2x418	12' x 12'	1
209	2x420	12' x 12'	1
210	2x422	12' x 12'	1
211	2x424	12' x 12'	1
212	2x426	12' x 12'	1
213	2x428	12' x 12'	1
214	2x430	12' x 12'	1
215	2x432	12' x 12'	1
216	2x434	12' x 12'	1
217	2x436	12' x 12'	1
218	2x438	12' x 12'	1
219	2x440	12' x 12'	1
220	2x442	12' x 12'	1
221	2x444	12' x 12'	1
222	2x446	12' x 12'	1
223	2x448	12' x 12'	1
224	2x450	12' x 12'	1
225	2x452	12' x 12'	1
226	2x454	12' x 12'	1
227	2x456	12' x 12'	1
228	2x458	12' x 12'	1
229	2x460	12' x 12'	1
230	2x462	12' x 12'	1
231	2x464	12' x 12'	1
232	2x466	12' x 12'	1
233	2x468	12' x 12'	1
234	2x470	12' x 12'	1
235	2x472	12' x 12'	1
236	2x474	12' x 12'	1
237	2x476	12' x 12'	1
238	2x478	12' x 12'	1
239	2x480	12' x 12'	1
240	2x482	12' x 12'	1
241	2x484	12' x 12'	1
242	2x486	12' x 12'	1
243	2x488	12' x 12'	1
244	2x490	12' x 12'	1
245	2x492	12' x 12'	1
246	2x494	12' x 12'	1
247	2x496	12' x 12'	1
248	2x498	12' x 12'	1
249	2x500	12' x 12'	1
250	2x502	12' x 12'	1
251	2x504	12' x 12'	1
252	2x506	12' x 12'	1
253	2x508	12' x 12'	1
254	2x510	12' x 12'	1
255	2x512	12' x 12'	1
256	2x514	12' x 12'	1
257	2x516	12' x 12'	1
258	2x518	12' x 12'	1
259	2x520	12' x 12'	1
260	2x522	12' x 12'	1
261	2x524	12' x 12'	1
262	2x526	12' x 12'	1
263	2x528	12' x 12'	1

50

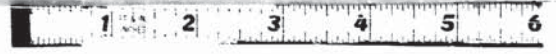


For details of Markers see
 Sid. Plan for Project Markers.
 Conc. Posts to be used this project.



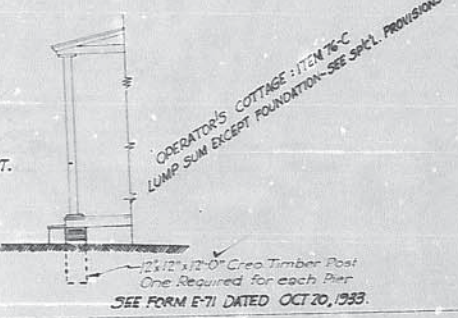
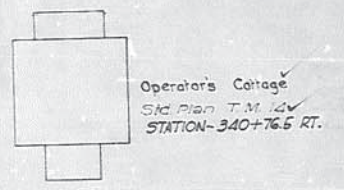
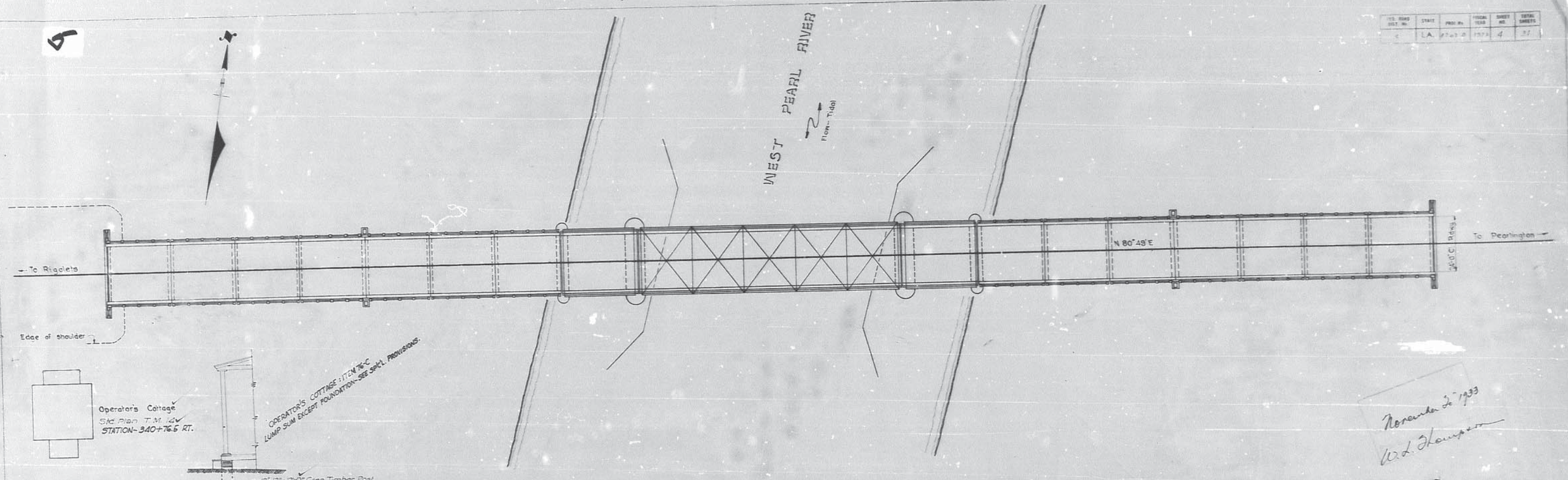
PLAN & PROFILE
 WEST PEARL RIVER BRIDGE
 RIGOLETS-PEARLINGTON HIGHWAY
 ST. TAMMANY PARISH

LOUISIANA HIGHWAY COMMISSION
 BATON ROUGE, LA. Oct 15 52
 Designed by [Signature] Detailled by [Signature] Traced R.A. [Signature]
 Checked by [Signature] Checked by [Signature]
 In Charge of [Signature] Bridge Designing Engineer

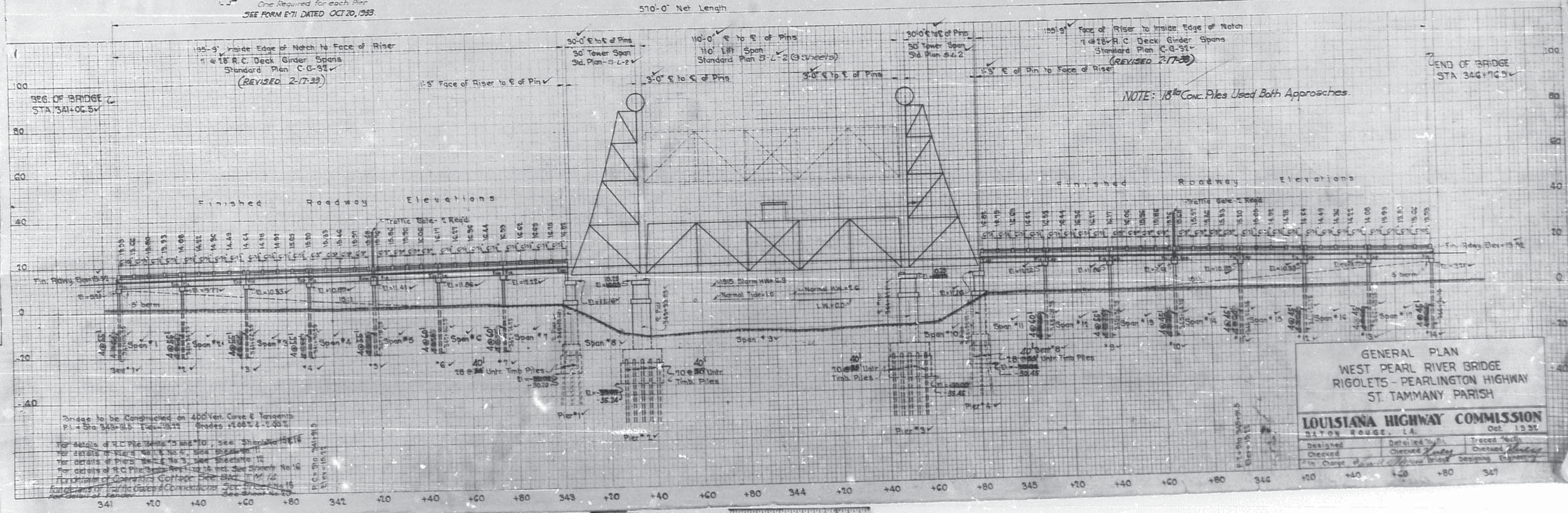


PROJECT	STATE	FISCAL YEAR	SHEET NO.	TOTAL SHEETS
LA 2742-D	LA	1933	4	37

PLAN
 DRAWING NO. 100
 DATE 10/20/33
 CHECKED BY W. D. THOMPSON
 DESIGNED BY W. D. THOMPSON



November 2, 1933
W. D. Thompson

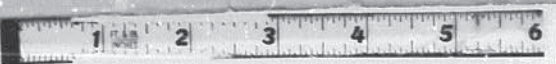


GENERAL PLAN
 WEST PEARL RIVER BRIDGE
 RIGOLETS - PEARLINGTON HIGHWAY
 ST. TAMMANY PARISH

LOUISIANA HIGHWAY COMMISSION
 STATION ROUGE, LA. Oct. 1933

Designed by [Signature]
 Checked by [Signature]
 In Charge of [Signature]

Traced by [Signature]
 Checked by [Signature]



HAER No. LA-31

31435

Louisiana Historic Bridge
 Bridge 058710

Base @ Madem

31435c5092216 Modern

Processed by A.M.B

FS

Desc

500, 501

PK nail set

502-504

60d set

Scan 1 (Tripod)

Sta 504

BS CK 500, 503

Scan 2 (Tripod)

Sta 502

BS CK 503, 504

Scan 3 (Tripod)

Sta 503

BS CK 501, 504

Scan 4 (Tripod)

Sta 501

BS CK 500, 503

Scan 5 (Tripod)

Sta 500

BS CK 504, 501

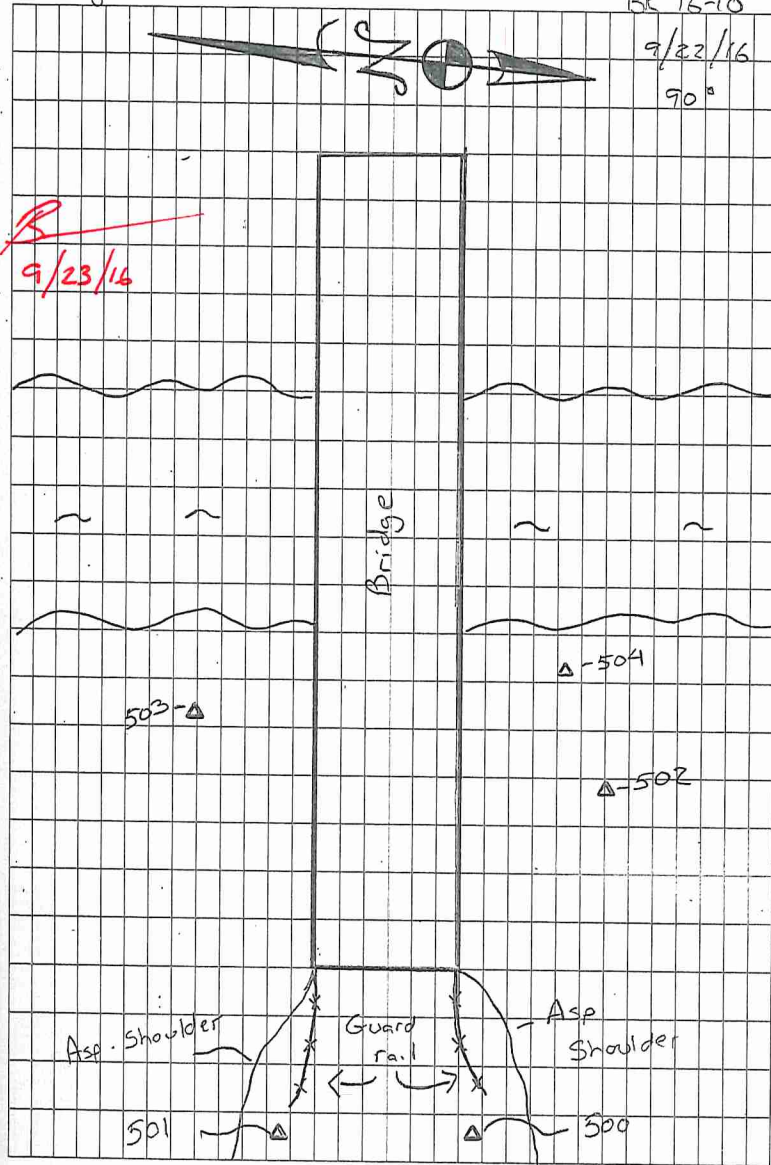
A. Burns
 R. Broden
 R. Dugas

⑤

BK 16-10

9/22/16

90°



31435

Louisiana Historic Bridge

Bridge 058710

Base @ Madem

FS

Disc

505

60d set

506

60d set

507, 508

PK nail set

509, 510

60d set

502, 504

60d nail

A Burns
R. Broden
R. Dugas

⑥

BK 16-10

9/26/16

91°

Processed by A.M.B

Anthony B.

9/27/16

31435

Louisiana Historic Bridge

Bridge 058710

Scan 1 (Tripod)

Sta = 505

BS CK = 509, 510

Scan 2 (Tripod)

Sta = 506

BS CK = 509, 510

Scan 3 (Tripod)

Sta = 509

BS CK = 506, 505

Scan 4 (Tripod)

Sta 508

BS CK = 506, 507

Scan 5 (Tripod)

Sta 507

BS CK = 508, 510

Scan 6 (Resection)

Targets = 505, 506, 510, 504

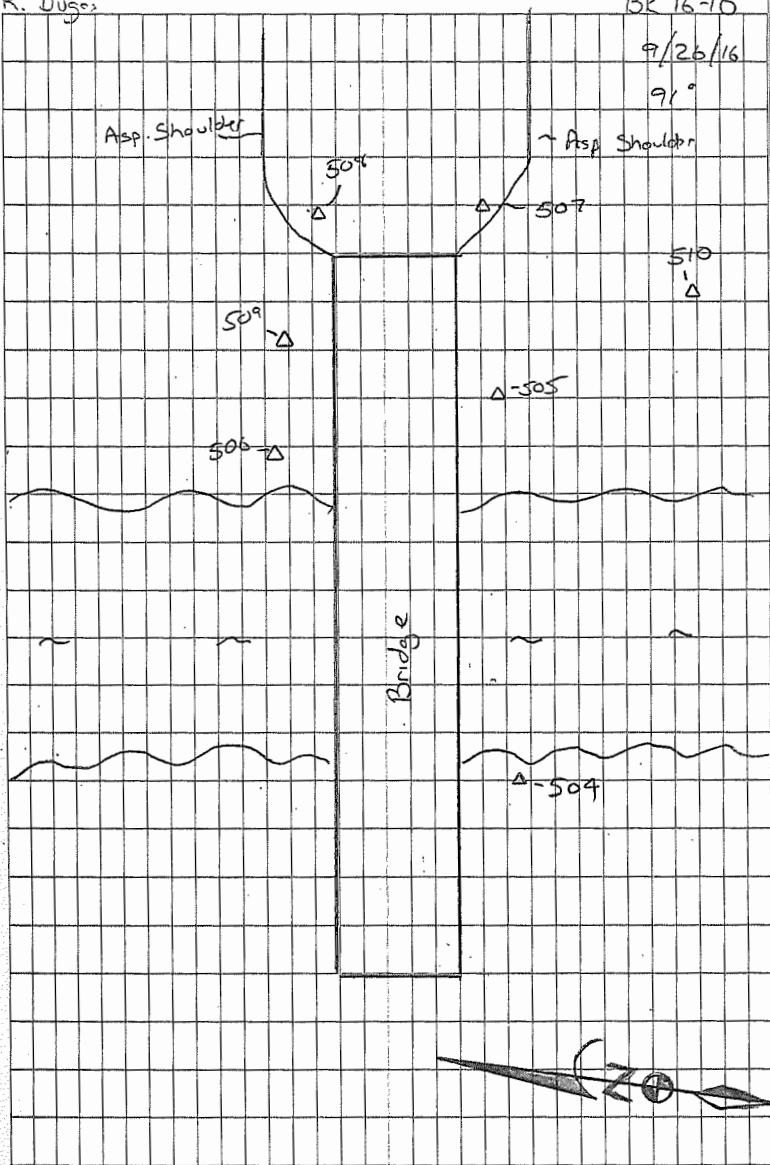
A. Burns
R. Broden
R. Dugas

⑦

BK 16-10

9/26/16

91°





Status: VALID Registration

Mean Absolute Error:

for Enabled Constraints = 0.038 ft

for Disabled Constraints = 0.000 ft

Date: 2017.10.05 10:32:06

Database name : BRIDGE 058710

ScanWorlds

31435c5092216ModemCNT.TXT (Leveled)

- 500: SW-005 (Leveled)
 - 501: SW-004 (Leveled)
 - 502: SW-002 (Leveled)
 - 503: SW-003 (Leveled)
 - 504: SW-001 (Leveled)
 - 505: SW-001 (Leveled)
 - 506: SW-002 (Leveled)
 - 509: SW-003 (Leveled)
 - 508: SW-004 (Leveled)
 - 507: SW-005 (Leveled)
- Station-001: SW-001

Constraints

Name	ScanWorld	ScanWorld	Type	On/Off	Weight	Error	Error Vector	Horz	Vert
502	31435c5092216ModemCNT.TXT (Leveled)	502: SW-002 (Leveled)	Coincident: Vertex - Vertex	On	1.0000	0.088 ft	(-0.001, -0.009, -0.087) ft	0.010 ft	-0.087 ft
501	31435c5092216ModemCNT.TXT (Leveled)	501: SW-004 (Leveled)	Coincident: Vertex - Vertex	On	1.0000	0.050 ft	(-0.007, -0.002, 0.049) ft	0.007 ft	0.049 ft
501	31435c5092216ModemCNT.TXT (Leveled)	503: SW-003 (Leveled)	Coincident: Vertex - Vertex	On	1.0000	0.055 ft	(-0.001, 0.000, 0.055) ft	0.001 ft	0.055 ft
503	31435c5092216ModemCNT.TXT (Leveled)	501: SW-004 (Leveled)	Coincident: Vertex - Vertex	On	1.0000	0.017 ft	(0.006, 0.004, -0.015) ft	0.007 ft	-0.015 ft
503	31435c5092216ModemCNT.TXT (Leveled)	502: SW-002 (Leveled)	Coincident: Vertex - Vertex	On	1.0000	0.019 ft	(0.003, 0.005, 0.018) ft	0.006 ft	0.018 ft
503	31435c5092216ModemCNT.TXT (Leveled)	503: SW-003 (Leveled)	Coincident: Vertex - Vertex	On	1.0000	0.020 ft	(0.001, 0.003, -0.020) ft	0.003 ft	-0.020 ft
504	31435c5092216ModemCNT.TXT (Leveled)	500: SW-005 (Leveled)	Coincident: Vertex - Vertex	On	1.0000	0.045 ft	(0.002, -0.018, 0.040) ft	0.019 ft	0.040 ft
504	31435c5092216ModemCNT.TXT (Leveled)	504: SW-001 (Leveled)	Coincident: Vertex - Vertex	On	1.0000	0.043 ft	(-0.004, -0.019, 0.039) ft	0.019 ft	0.039 ft
504	31435c5092216ModemCNT.TXT (Leveled)	Station-001: SW-001	Coincident: Vertex - Vertex	On	1.0000	0.046 ft	(0.005, -0.037, 0.027) ft	0.037 ft	0.027 ft
505	31435c5092216ModemCNT.TXT (Leveled)	505: SW-001 (Leveled)	Coincident: Vertex - Vertex	On	1.0000	0.049 ft	(-0.032, 0.037, -0.006) ft	0.049 ft	-0.006 ft
505	31435c5092216ModemCNT.TXT (Leveled)	Station-001: SW-001	Coincident: Vertex - Vertex	On	1.0000	0.088 ft	(-0.057, 0.066, 0.009) ft	0.087 ft	0.009 ft
506	31435c5092216ModemCNT.TXT (Leveled)	506: SW-002 (Leveled)	Coincident: Vertex - Vertex	On	1.0000	0.048 ft	(0.006, 0.048, -0.001) ft	0.048 ft	-0.001 ft
506	31435c5092216ModemCNT.TXT (Leveled)	509: SW-003 (Leveled)	Coincident: Vertex - Vertex	On	1.0000	0.048 ft	(0.005, 0.047, 0.000) ft	0.048 ft	0.000 ft
506	31435c5092216ModemCNT.TXT (Leveled)	Station-001: SW-001	Coincident: Vertex - Vertex	On	1.0000	0.094 ft	(0.005, 0.094, -0.006) ft	0.094 ft	-0.006 ft
507	31435c5092216ModemCNT.TXT (Leveled)	507: SW-005 (Leveled)	Coincident: Vertex - Vertex	On	1.0000	0.032 ft	(-0.006, -0.014, -0.028) ft	0.015 ft	-0.028 ft
508	31435c5092216ModemCNT.TXT (Leveled)	508: SW-004 (Leveled)	Coincident: Vertex - Vertex	On	1.0000	0.046 ft	(0.013, 0.000, 0.044) ft	0.013 ft	0.044 ft
509	31435c5092216ModemCNT.TXT (Leveled)	506: SW-002 (Leveled)	Coincident: Vertex - Vertex	On	1.0000	0.016 ft	(-0.008, -0.001, -0.014) ft	0.009 ft	-0.014 ft
509	31435c5092216ModemCNT.TXT (Leveled)	509: SW-003 (Leveled)	Coincident: Vertex - Vertex	On	1.0000	0.017 ft	(-0.007, -0.001, -0.015) ft	0.008 ft	-0.015 ft
509	31435c5092216ModemCNT.TXT (Leveled)	508: SW-004 (Leveled)	Coincident: Vertex - Vertex	On	1.0000	0.026 ft	(-0.010, -0.001, -0.024) ft	0.010 ft	-0.024 ft
510	31435c5092216ModemCNT.TXT (Leveled)	505: SW-001 (Leveled)	Coincident: Vertex - Vertex	On	1.0000	0.058 ft	(0.020, -0.052, 0.015) ft	0.056 ft	0.015 ft
510	31435c5092216ModemCNT.TXT (Leveled)	507: SW-005 (Leveled)	Coincident: Vertex - Vertex	On	1.0000	0.054 ft	(0.020, -0.047, 0.016) ft	0.051 ft	0.016 ft
510	31435c5092216ModemCNT.TXT (Leveled)	Station-001: SW-001	Coincident: Vertex - Vertex	On	1.0000	0.108 ft	(0.034, -0.103, 0.007) ft	0.108 ft	0.007 ft
500	31435c5092216ModemCNT.TXT (Leveled)	500: SW-005 (Leveled)	Coincident: Vertex - Vertex	On	1.0000	0.053 ft	(0.002, 0.000, -0.053) ft	0.002 ft	-0.053 ft
500	31435c5092216ModemCNT.TXT (Leveled)	504: SW-001 (Leveled)	Coincident: Vertex - Vertex	On	1.0000	0.051 ft	(0.011, 0.001, -0.050) ft	0.011 ft	-0.050 ft
500	500: SW-005 (Leveled)	504: SW-001 (Leveled)	Coincident: Vertex - Vertex	On	1.0000	0.009 ft	(0.009, 0.000, 0.003) ft	0.009 ft	0.003 ft
504	500: SW-005 (Leveled)	504: SW-001 (Leveled)	Coincident: Vertex - Vertex	On	1.0000	0.007 ft	(-0.007, 0.000, -0.002) ft	0.007 ft	-0.002 ft
504	500: SW-005 (Leveled)	Station-001: SW-001	Coincident: Vertex - Vertex	On	1.0000	0.023 ft	(0.002, -0.018, -0.013) ft	0.019 ft	-0.013 ft
501	501: SW-004 (Leveled)	503: SW-003 (Leveled)	Coincident: Vertex - Vertex	On	1.0000	0.008 ft	(0.006, 0.002, 0.006) ft	0.006 ft	0.006 ft
503	501: SW-004 (Leveled)	502: SW-002 (Leveled)	Coincident: Vertex - Vertex	On	1.0000	0.033 ft	(-0.003, 0.001, 0.033) ft	0.003 ft	0.033 ft
503	501: SW-004 (Leveled)	503: SW-003 (Leveled)	Coincident: Vertex - Vertex	On	1.0000	0.006 ft	(-0.004, -0.001, -0.004) ft	0.005 ft	-0.004 ft
503	502: SW-002 (Leveled)	503: SW-003 (Leveled)	Coincident: Vertex - Vertex	On	1.0000	0.037 ft	(-0.001, -0.003, -0.037) ft	0.003 ft	-0.037 ft
504	504: SW-001 (Leveled)	Station-001: SW-001	Coincident: Vertex - Vertex	On	1.0000	0.023 ft	(0.009, -0.018, -0.011) ft	0.020 ft	-0.011 ft
505	505: SW-001 (Leveled)	Station-001: SW-001	Coincident: Vertex - Vertex	On	1.0000	0.041 ft	(-0.025, 0.030, 0.015) ft	0.039 ft	0.015 ft
510	505: SW-001 (Leveled)	507: SW-005 (Leveled)	Coincident: Vertex - Vertex	On	1.0000	0.006 ft	(0.000, 0.005, 0.002) ft	0.005 ft	0.002 ft
510	505: SW-001 (Leveled)	Station-001: SW-001	Coincident: Vertex - Vertex	On	1.0000	0.053 ft	(0.013, -0.050, -0.008) ft	0.052 ft	-0.008 ft
506	506: SW-002 (Leveled)	509: SW-003 (Leveled)	Coincident: Vertex - Vertex	On	1.0000	0.002 ft	(-0.001, -0.000, 0.001) ft	0.001 ft	0.001 ft
506	506: SW-002 (Leveled)	Station-001: SW-001	Coincident: Vertex - Vertex	On	1.0000	0.046 ft	(-0.001, 0.046, -0.004) ft	0.046 ft	-0.004 ft
509	506: SW-002 (Leveled)	509: SW-003 (Leveled)	Coincident: Vertex - Vertex	On	1.0000	0.002 ft	(0.001, 0.000, -0.001) ft	0.001 ft	-0.001 ft
509	506: SW-002 (Leveled)	508: SW-004 (Leveled)	Coincident: Vertex - Vertex	On	1.0000	0.011 ft	(-0.001, 0.001, -0.011) ft	0.001 ft	-0.011 ft
509	509: SW-003 (Leveled)	508: SW-004 (Leveled)	Coincident: Vertex - Vertex	On	1.0000	0.010 ft	(-0.002, 0.000, -0.009) ft	0.002 ft	-0.009 ft

506	509: SW-003 (Leveled)	Station-001: SW-001	Coincident: Vertex - Vertex	On	1.0000	0.047 ft	(0.000, 0.046, -0.006) ft	0.046 ft	-0.006 ft
510	507: SW-005 (Leveled)	Station-001: SW-001	Coincident: Vertex - Vertex	On	1.0000	0.058 ft	(0.013, -0.056, -0.010) ft	0.057 ft	-0.010 ft

ScanWorld Transformations

31435c5092216ModemCNT.TXT (Leveled)
translation: (0.000, 0.000, 0.000) ft
rotation: (0.0000, 1.0000, 0.0000):0.000 deg

500: SW-005 (Leveled)
translation: (3806168.441, 633312.063, 18.012) ft
rotation: (-0.0000, -0.0000, -1.0000):-124.214 deg

501: SW-004 (Leveled)
translation: (3806171.341, 633350.185, 17.285) ft
rotation: (-0.0000, -0.0000, -1.0000):59.639 deg

502: SW-002 (Leveled)
translation: (3806301.085, 633302.778, 8.614) ft
rotation: (0.0000, 0.0000, 1.0000):-131.618 deg

503: SW-003 (Leveled)
translation: (3806313.032, 633393.269, 8.272) ft
rotation: (0.0000, 0.0000, 1.0000):88.266 deg

504: SW-001 (Leveled)
translation: (3806354.168, 633322.204, 8.319) ft
rotation: (-0.0000, -0.0000, -1.0000):-153.584 deg

505: SW-001 (Leveled)
translation: (3806701.457, 633395.784, 9.317) ft
rotation: (-0.0000, -0.0000, -1.0000):44.969 deg

506: SW-002 (Leveled)
translation: (3806598.676, 633434.381, 7.550) ft
rotation: (-0.0000, -0.0000, -1.0000):80.802 deg

509: SW-003 (Leveled)
translation: (3806696.861, 633457.274, 9.775) ft
rotation: (0.0000, 0.0000, 1.0000):11.982 deg

508: SW-004 (Leveled)
translation: (3806777.191, 633454.323, 17.411) ft
rotation: (-0.0000, -0.0000, -1.0000):-145.069 deg

507: SW-005 (Leveled)
translation: (3806782.274, 633423.572, 17.465) ft
rotation: (0.0000, 0.0000, 1.0000):-169.572 deg

Station-001: SW-001
translation: (3806593.032, 633381.283, 6.948) ft
rotation: (0.0007, 0.0124, 0.9999):145.005 deg

Unused ControlSpace Objects

Station-001: SW-001:
Vertex : unlabeled

Status: VALID Registration

Mean Absolute Error:

for Enabled Constraints = 0.019 ft

for Disabled Constraints = 0.071 ft

Date: 2017.10.05 10:32:28

Database name : BRIDGE 058710

ScanWorlds

31435c5092216ModemCNT.TXT (Leveled)

Station-003: SW-003 (Leveled)

Station-004: SW-004 (Leveled)

Station-005: SW-005 (Leveled)

Station-006: SW-006 (Leveled)

Station-007: SW-007 (Leveled)

Station-008: SW-008 (Leveled)

Station-009: SW-009 (Leveled)

Constraints

Name	ScanWorld	ScanWorld	Type	On/Off	Weight	Error	Error Vector	Horz	Vert
503	31435c5092216ModemCNT.TXT (Leveled)	Station-008: SW-008 (Leveled)	Coincident: Vertex - Vertex	On	1.0000	0.069 ft	(-0.013, 0.006, 0.068) ft	0.014 ft	0.068
505	31435c5092216ModemCNT.TXT (Leveled)	Station-009: SW-009 (Leveled)	Coincident: Vertex - Vertex	On	1.0000	0.038 ft	(-0.002, -0.028, 0.025) ft	0.028 ft	0.025
506	31435c5092216ModemCNT.TXT (Leveled)	Station-009: SW-009 (Leveled)	Coincident: Vertex - Vertex	On	1.0000	0.021 ft	(-0.004, 0.015, -0.014) ft	0.015 ft	-0.014
507	31435c5092216ModemCNT.TXT (Leveled)	Station-003: SW-003 (Leveled)	Coincident: Vertex - Vertex	On	1.0000	0.025 ft	(0.015, -0.008, -0.018) ft	0.017 ft	-0.018
507	31435c5092216ModemCNT.TXT (Leveled)	Station-004: SW-004 (Leveled)	Coincident: Vertex - Vertex	On	1.0000	0.025 ft	(0.017, -0.011, -0.015) ft	0.020 ft	-0.015
507	31435c5092216ModemCNT.TXT (Leveled)	Station-005: SW-005 (Leveled)	Coincident: Vertex - Vertex	On	1.0000	0.029 ft	(0.017, -0.009, -0.022) ft	0.019 ft	-0.022
507	31435c5092216ModemCNT.TXT (Leveled)	Station-006: SW-006 (Leveled)	Coincident: Vertex - Vertex	On	1.0000	0.029 ft	(0.019, -0.015, -0.017) ft	0.024 ft	-0.017
507	31435c5092216ModemCNT.TXT (Leveled)	Station-007: SW-007 (Leveled)	Coincident: Vertex - Vertex	On	1.0000	0.025 ft	(0.014, -0.014, -0.016) ft	0.020 ft	-0.016
507	31435c5092216ModemCNT.TXT (Leveled)	Station-009: SW-009 (Leveled)	Coincident: Vertex - Vertex	On	1.0000	0.019 ft	(0.015, -0.007, -0.010) ft	0.016 ft	-0.010
508	31435c5092216ModemCNT.TXT (Leveled)	Station-003: SW-003 (Leveled)	Coincident: Vertex - Vertex	On	1.0000	0.054 ft	(0.040, 0.024, 0.027) ft	0.047 ft	0.027
508	31435c5092216ModemCNT.TXT (Leveled)	Station-004: SW-004 (Leveled)	Coincident: Vertex - Vertex	On	1.0000	0.053 ft	(0.039, 0.029, 0.020) ft	0.049 ft	0.020
508	31435c5092216ModemCNT.TXT (Leveled)	Station-005: SW-005 (Leveled)	Coincident: Vertex - Vertex	On	1.0000	0.051 ft	(0.039, 0.026, 0.020) ft	0.047 ft	0.020
508	31435c5092216ModemCNT.TXT (Leveled)	Station-006: SW-006 (Leveled)	Coincident: Vertex - Vertex	On	1.0000	0.054 ft	(0.038, 0.034, 0.019) ft	0.051 ft	0.019
508	31435c5092216ModemCNT.TXT (Leveled)	Station-007: SW-007 (Leveled)	Coincident: Vertex - Vertex	On	1.0000	0.054 ft	(0.037, 0.031, 0.022) ft	0.049 ft	0.022
509	31435c5092216ModemCNT.TXT (Leveled)	Station-009: SW-009 (Leveled)	Coincident: Vertex - Vertex	On	1.0000	0.036 ft	(-0.001, -0.005, -0.036) ft	0.005 ft	-0.036
500	31435c5092216ModemCNT.TXT (Leveled)	Station-003: SW-003 (Leveled)	Coincident: Vertex - Vertex	On	1.0000	0.048 ft	(-0.047, -0.010, -0.006) ft	0.048 ft	-0.006
500	31435c5092216ModemCNT.TXT (Leveled)	Station-004: SW-004 (Leveled)	Coincident: Vertex - Vertex	On	1.0000	0.049 ft	(-0.048, -0.010, -0.003) ft	0.049 ft	-0.003
500	31435c5092216ModemCNT.TXT (Leveled)	Station-005: SW-005 (Leveled)	Coincident: Vertex - Vertex	On	1.0000	0.049 ft	(-0.048, -0.010, 0.004) ft	0.049 ft	0.004
500	31435c5092216ModemCNT.TXT (Leveled)	Station-006: SW-006 (Leveled)	Coincident: Vertex - Vertex	On	1.0000	0.050 ft	(-0.049, -0.010, 0.000) ft	0.050 ft	0.000
500	31435c5092216ModemCNT.TXT (Leveled)	Station-007: SW-007 (Leveled)	Coincident: Vertex - Vertex	On	1.0000	0.045 ft	(-0.044, -0.009, -0.004) ft	0.045 ft	-0.004
500	31435c5092216ModemCNT.TXT (Leveled)	Station-008: SW-008 (Leveled)	Coincident: Vertex - Vertex	On	1.0000	0.038 ft	(-0.037, -0.007, -0.007) ft	0.038 ft	-0.007
501	31435c5092216ModemCNT.TXT (Leveled)	Station-003: SW-003 (Leveled)	Coincident: Vertex - Vertex	Off	1.0000	0.141 ft	(-0.062, -0.024, 0.124) ft	0.067 ft	0.124
501	31435c5092216ModemCNT.TXT (Leveled)	Station-004: SW-004 (Leveled)	Coincident: Vertex - Vertex	Off	1.0000	0.151 ft	(-0.062, -0.019, 0.137) ft	0.064 ft	0.137
501	31435c5092216ModemCNT.TXT (Leveled)	Station-008: SW-008 (Leveled)	Coincident: Vertex - Vertex	Off	1.0000	0.120 ft	(-0.042, -0.025, 0.110) ft	0.049 ft	0.110
502	31435c5092216ModemCNT.TXT (Leveled)	Station-008: SW-008 (Leveled)	Coincident: Vertex - Vertex	On	1.0000	0.040 ft	(0.001, -0.014, -0.038) ft	0.014 ft	-0.038
501	Station-003: SW-003 (Leveled)	Station-004: SW-004 (Leveled)	Coincident: Vertex - Vertex	Off	1.0000	0.013 ft	(0.001, 0.005, 0.012) ft	0.005 ft	0.012
501	Station-003: SW-003 (Leveled)	Station-008: SW-008 (Leveled)	Coincident: Vertex - Vertex	Off	1.0000	0.025 ft	(0.020, -0.001, -0.015) ft	0.020 ft	-0.015
500	Station-003: SW-003 (Leveled)	Station-004: SW-004 (Leveled)	Coincident: Vertex - Vertex	On	1.0000	0.003 ft	(-0.001, 0.000, 0.003) ft	0.001 ft	0.003
500	Station-003: SW-003 (Leveled)	Station-005: SW-005 (Leveled)	Coincident: Vertex - Vertex	On	1.0000	0.011 ft	(-0.001, 0.000, 0.011) ft	0.001 ft	0.011
500	Station-003: SW-003 (Leveled)	Station-006: SW-006 (Leveled)	Coincident: Vertex - Vertex	On	1.0000	0.007 ft	(-0.002, 0.000, 0.006) ft	0.002 ft	0.006
500	Station-003: SW-003 (Leveled)	Station-007: SW-007 (Leveled)	Coincident: Vertex - Vertex	On	1.0000	0.004 ft	(0.003, 0.001, 0.002) ft	0.003 ft	0.002
500	Station-003: SW-003 (Leveled)	Station-008: SW-008 (Leveled)	Coincident: Vertex - Vertex	On	1.0000	0.010 ft	(0.010, 0.003, 0.000) ft	0.010 ft	0.000
507	Station-003: SW-003 (Leveled)	Station-004: SW-004 (Leveled)	Coincident: Vertex - Vertex	On	1.0000	0.005 ft	(0.001, -0.004, 0.003) ft	0.004 ft	0.003
507	Station-003: SW-003 (Leveled)	Station-005: SW-005 (Leveled)	Coincident: Vertex - Vertex	On	1.0000	0.005 ft	(0.002, -0.001, -0.005) ft	0.002 ft	-0.005
507	Station-003: SW-003 (Leveled)	Station-006: SW-006 (Leveled)	Coincident: Vertex - Vertex	On	1.0000	0.008 ft	(0.004, -0.007, 0.001) ft	0.008 ft	0.001
507	Station-003: SW-003 (Leveled)	Station-007: SW-007 (Leveled)	Coincident: Vertex - Vertex	On	1.0000	0.007 ft	(-0.001, -0.006, 0.002) ft	0.006 ft	0.002
507	Station-003: SW-003 (Leveled)	Station-009: SW-009 (Leveled)	Coincident: Vertex - Vertex	On	1.0000	0.007 ft	(0.000, 0.001, 0.007) ft	0.001 ft	0.007
508	Station-003: SW-003 (Leveled)	Station-004: SW-004 (Leveled)	Coincident: Vertex - Vertex	On	1.0000	0.009 ft	(-0.001, 0.004, -0.007) ft	0.005 ft	-0.007
508	Station-003: SW-003 (Leveled)	Station-005: SW-005 (Leveled)	Coincident: Vertex - Vertex	On	1.0000	0.007 ft	(-0.001, 0.002, -0.007) ft	0.002 ft	-0.007
508	Station-003: SW-003 (Leveled)	Station-006: SW-006 (Leveled)	Coincident: Vertex - Vertex	On	1.0000	0.013 ft	(-0.002, 0.009, -0.009) ft	0.009 ft	-0.009
508	Station-003: SW-003 (Leveled)	Station-007: SW-007 (Leveled)	Coincident: Vertex - Vertex	On	1.0000	0.009 ft	(-0.003, 0.007, -0.005) ft	0.007 ft	-0.005
507	Station-004: SW-004 (Leveled)	Station-005: SW-005 (Leveled)	Coincident: Vertex - Vertex	On	1.0000	0.008 ft	(0.000, 0.002, -0.008) ft	0.002 ft	-0.008
507	Station-004: SW-004 (Leveled)	Station-006: SW-006 (Leveled)	Coincident: Vertex - Vertex	On	1.0000	0.005 ft	(0.002, -0.004, -0.002) ft	0.004 ft	-0.002
507	Station-004: SW-004 (Leveled)	Station-007: SW-007 (Leveled)	Coincident: Vertex - Vertex	On	1.0000	0.004 ft	(-0.002, -0.003, -0.001) ft	0.004 ft	-0.001

507	Station-004: SW-004 (Leveled)	Station-009: SW-009 (Leveled)	Coincident: Vertex - Vertex	On	1.0000	0.007 ft	(-0.002, 0.005, 0.004)	ft	0.005 ft	0.004
508	Station-004: SW-004 (Leveled)	Station-005: SW-005 (Leveled)	Coincident: Vertex - Vertex	On	1.0000	0.003 ft	(0.000, -0.003, 0.000)	ft	0.003 ft	0.000
508	Station-004: SW-004 (Leveled)	Station-006: SW-006 (Leveled)	Coincident: Vertex - Vertex	On	1.0000	0.005 ft	(-0.001, 0.005, -0.001)	ft	0.005 ft	-0.001
508	Station-004: SW-004 (Leveled)	Station-007: SW-007 (Leveled)	Coincident: Vertex - Vertex	On	1.0000	0.004 ft	(-0.002, 0.002, 0.002)	ft	0.003 ft	0.002
500	Station-004: SW-004 (Leveled)	Station-005: SW-005 (Leveled)	Coincident: Vertex - Vertex	On	1.0000	0.008 ft	(0.000, 0.000, 0.008)	ft	0.000 ft	0.008
500	Station-004: SW-004 (Leveled)	Station-006: SW-006 (Leveled)	Coincident: Vertex - Vertex	On	1.0000	0.003 ft	(-0.001, 0.000, 0.003)	ft	0.001 ft	0.003
500	Station-004: SW-004 (Leveled)	Station-007: SW-007 (Leveled)	Coincident: Vertex - Vertex	On	1.0000	0.004 ft	(0.004, 0.001, -0.001)	ft	0.004 ft	-0.001
500	Station-004: SW-004 (Leveled)	Station-008: SW-008 (Leveled)	Coincident: Vertex - Vertex	On	1.0000	0.012 ft	(0.011, 0.003, -0.003)	ft	0.011 ft	-0.003
501	Station-004: SW-004 (Leveled)	Station-008: SW-008 (Leveled)	Coincident: Vertex - Vertex	Off	1.0000	0.034 ft	(0.019, -0.006, -0.027)	ft	0.020 ft	-0.027
500	Station-005: SW-005 (Leveled)	Station-006: SW-006 (Leveled)	Coincident: Vertex - Vertex	On	1.0000	0.005 ft	(-0.001, 0.000, -0.004)	ft	0.001 ft	-0.004
500	Station-005: SW-005 (Leveled)	Station-007: SW-007 (Leveled)	Coincident: Vertex - Vertex	On	1.0000	0.010 ft	(0.004, 0.001, -0.009)	ft	0.004 ft	-0.009
500	Station-005: SW-005 (Leveled)	Station-008: SW-008 (Leveled)	Coincident: Vertex - Vertex	On	1.0000	0.016 ft	(0.011, 0.003, -0.011)	ft	0.011 ft	-0.011
507	Station-005: SW-005 (Leveled)	Station-006: SW-006 (Leveled)	Coincident: Vertex - Vertex	On	1.0000	0.009 ft	(0.002, -0.006, 0.006)	ft	0.006 ft	0.006
507	Station-005: SW-005 (Leveled)	Station-007: SW-007 (Leveled)	Coincident: Vertex - Vertex	On	1.0000	0.009 ft	(-0.003, -0.005, 0.007)	ft	0.006 ft	0.007
507	Station-005: SW-005 (Leveled)	Station-009: SW-009 (Leveled)	Coincident: Vertex - Vertex	On	1.0000	0.012 ft	(-0.002, 0.003, 0.012)	ft	0.003 ft	0.012
unlabeled	Station-005: SW-005 (Leveled)	Station-006: SW-006 (Leveled)	Coincident: Vertex - Vertex	Off	1.0000	0.012 ft	(0.005, -0.009, 0.006)	ft	0.010 ft	0.006
508	Station-005: SW-005 (Leveled)	Station-006: SW-006 (Leveled)	Coincident: Vertex - Vertex	On	1.0000	0.008 ft	(-0.001, 0.007, -0.002)	ft	0.007 ft	-0.002
508	Station-005: SW-005 (Leveled)	Station-007: SW-007 (Leveled)	Coincident: Vertex - Vertex	On	1.0000	0.006 ft	(-0.002, 0.005, 0.002)	ft	0.005 ft	0.002
500	Station-006: SW-006 (Leveled)	Station-007: SW-007 (Leveled)	Coincident: Vertex - Vertex	On	1.0000	0.007 ft	(0.005, 0.001, -0.004)	ft	0.005 ft	-0.004
500	Station-006: SW-006 (Leveled)	Station-008: SW-008 (Leveled)	Coincident: Vertex - Vertex	On	1.0000	0.014 ft	(0.012, 0.003, -0.007)	ft	0.012 ft	-0.007
507	Station-006: SW-006 (Leveled)	Station-007: SW-007 (Leveled)	Coincident: Vertex - Vertex	On	1.0000	0.005 ft	(-0.005, 0.001, 0.001)	ft	0.005 ft	0.001
507	Station-006: SW-006 (Leveled)	Station-009: SW-009 (Leveled)	Coincident: Vertex - Vertex	On	1.0000	0.011 ft	(-0.004, 0.009, 0.006)	ft	0.010 ft	0.006
508	Station-006: SW-006 (Leveled)	Station-007: SW-007 (Leveled)	Coincident: Vertex - Vertex	On	1.0000	0.005 ft	(0.000, -0.003, 0.004)	ft	0.003 ft	0.004
507	Station-007: SW-007 (Leveled)	Station-009: SW-009 (Leveled)	Coincident: Vertex - Vertex	On	1.0000	0.009 ft	(0.001, 0.007, 0.005)	ft	0.007 ft	0.005
500	Station-007: SW-007 (Leveled)	Station-008: SW-008 (Leveled)	Coincident: Vertex - Vertex	On	1.0000	0.007 ft	(0.007, 0.002, -0.002)	ft	0.007 ft	-0.002

ScanWorld Transformations

31435c5092216ModemCNT.TXT (Leveled)
translation: (0.000, 0.000, 0.000) ft
rotation: (0.0000, 1.0000, 0.0000):0.000 deg

Station-003: SW-003 (Leveled)
translation: (3806361.727, 633358.098, 20.667) ft
rotation: (-0.0000, -0.0000, -1.0000):-149.304 deg

Station-004: SW-004 (Leveled)
translation: (3806457.349, 633373.007, 21.391) ft
rotation: (0.0000, 0.0000, 1.0000):7.613 deg

Station-005: SW-005 (Leveled)
translation: (3806556.668, 633391.661, 21.218) ft
rotation: (0.0000, 0.0000, 1.0000):-171.484 deg

Station-006: SW-006 (Leveled)
translation: (3806556.672, 633391.652, 21.223) ft
rotation: (0.0000, 0.0000, 1.0000):-171.470 deg

Station-007: SW-007 (Leveled)
translation: (3806650.002, 633410.103, 20.223) ft
rotation: (0.0000, 0.0000, 1.0000):-174.443 deg

Station-008: SW-008 (Leveled)
translation: (3806435.251, 633374.169, 39.912) ft
rotation: (0.0000, 0.0000, 1.0000):-146.794 deg

Station-009: SW-009 (Leveled)
translation: (3806538.575, 633391.212, 40.032) ft
rotation: (0.0000, 0.0000, 1.0000):-98.693 deg

Unused ControlSpace Objects

31435c5092216ModemCNT.TXT (Leveled):
Vertex : TargetID : 504
Vertex : TargetID : 510

Station-003: SW-003 (Leveled):
Vertex : unlabeled

Station-004: SW-004 (Leveled):
Vertex : unlabeled

Station-007: SW-007 (Leveled):
Vertex : unlabeled

Station-008: SW-008 (Leveled):
Vertex : unlabeled

Station-009: SW-009 (Leveled):
Vertex : unlabeled

State Project No. H.007020
Historic Bridge Inventory

SJB Group performed terrestrial laser scanning and created deliverables in accordance with HAER 4.0 Measured Drawings for six bridges throughout Louisiana. The six bridges surveyed under this contract were bridge numbers 008970, 009130, 014900, 058710, 200865 and 200896. The following sections are a description of the equipment and procedures used for this project.

Section I – Equipment

The equipment used in the establishment of the primary control network for this project was manufactured by Leica. Real-time kinematic GPS observations were collected using a Leica GS15 Smart Antenna “Performance” and CS15 3.5G Field Controller. Figure 12 is an image of the equipment used.



Figure 1: Photograph of Leica TS15 Total Station and Leica CS/GS15 GPS uni

Parks & Planning

Transportation

Site Development

Utility Systems

Land Surveying

Construction Services

Environmental Services

Real Estate Services

P. O. Box 1751
Baton Rouge, Louisiana
70821-1751
(225) 769-3400
Fax (225) 769-3596
www.sjbgroupp.com

Below is a table of the serial numbers for the equipment used for this project.

Description	Model Number	Serial Number
Leica ScanStation	C10	1260997
Leica Base	GS15	1508955
Leica Rover	GS15	1509134
Leica Controller	CS15	25022556

Section II – Field Procedures

Marks set via real-time kinematic GPS observations were established through a series of ten (10) second observations. Each mark was occupied three (3) times throughout the day from at least two (2) different base stations for a total of six (6) observations. Primary control marks were periodically cross checked throughout the day to ensure an accurate basis of measurement.

Section III – Equipment

Scanning was performed with the Leica ScanStation C-10, serial number 120997, in conjunction with HDS 6 inch circular planar fixed height (1.472 meters) targets



Figure 2: Photograph of Leica ScanStation C10

Section IV – Field Procedures

Scanning observations were made by independent instrument locations which included a minimum of four HDS targets on Secondary Control Marks. At each scanning location the C10 collects observed data relative to the instrument and builds a data set which identifies the HDS target marks. Each data set is called a “Scan World” for the purposes of computation.

Section V – Data Processing

The separate Scan Worlds were “registered” using Leica Cyclone Version 8.0 software which merges the independent observations by resection and statistical comparison of the State Plane values associated with each of the HDS target locations. The State Plane resolution data set which merges all scanned information is presented in Appendix “E.” TopoDOT version 9.0.0.0 was used to extract features from the point cloud registered in Leica Cyclone.